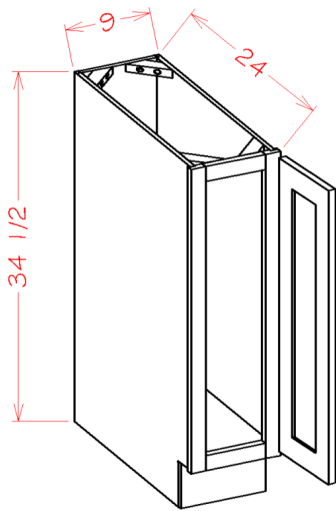


## PRODUCT SPECIFICATIONS

### Tray Base

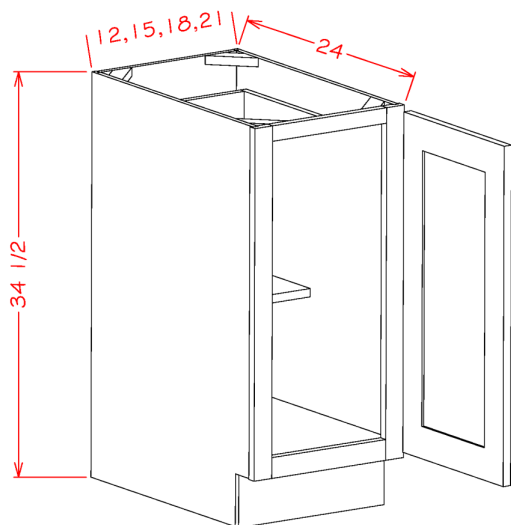


Model	Description	Width	Height	Depth
BT9*	Cabinet Dimension	9	34½	24
	Door Dimension	8½	29	¾

\*Available in: **CAPITAL**  
**impressions**  
collection

37

### Full Height Single Door Bases



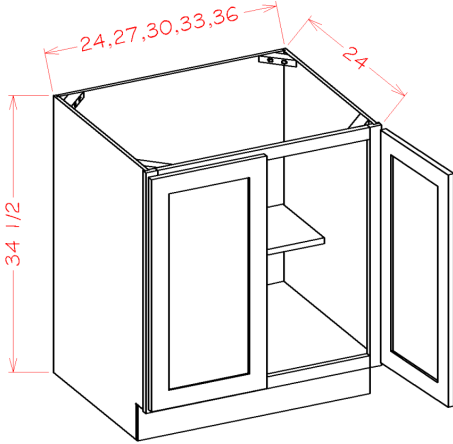
Model	Description	Width	Height	Depth
B12FH	Cabinet Dimension	12	34½	24
	Door Dimension	11½	29	¾
B15FH*	Cabinet Dimension	12	34½	24
	Door Dimension	14½	29	¾
B18FH*	Cabinet Dimension	18	34½	24
	Door Dimension	17½	29	¾
B21FH*	Cabinet Dimension	21	34½	24
	Door Dimension	20½	29	¾

- Two boxes will be received when ordering this cabinet kit flat pack.

\*Available in: **CAPITAL**  
**impressions**  
collection

## PRODUCT SPECIFICATIONS

**Full Height Double Door Bases**



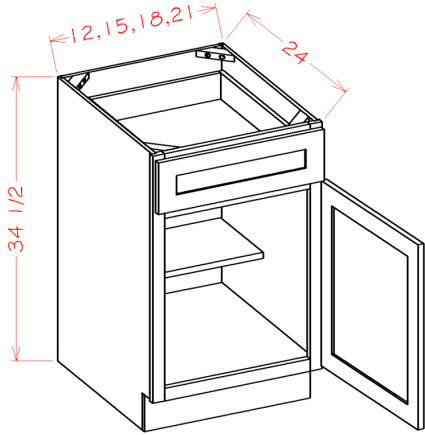
Model	Description	Width	Height	Depth
B24FH*	Cabinet Dimension	24	34½	24
	Door Dimension	11¾	29	¾
B27FH	Cabinet Dimension	27	34½	24
	Door Dimension	13¼	29	¾
B30FH*	Cabinet Dimension	30	34½	24
	Door Dimension	14¾	29	¾
B33FH	Cabinet Dimension	33	34½	24
	Door Dimension	16¼	29	¾
B36FH*	Cabinet Dimension	36	34½	24
	Door Dimension	17¾	29	¾

- Two boxes will be received when ordering this cabinet kit flat pack.

\*Available in: **CAPITAL impressions** collection

38

**Single Door Single Drawer Bases**

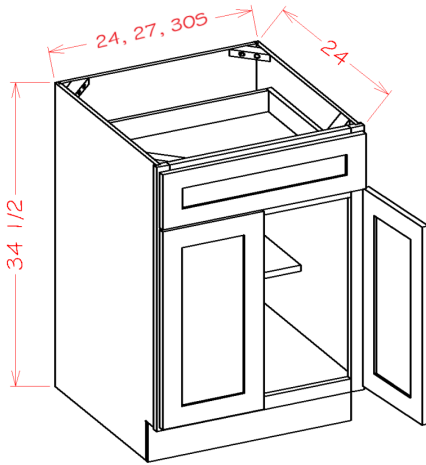


Model	Description	Width	Height	Depth
B12	Cabinet Dimension	12	34½	24
	Door Dimension	11½	22½	¾
	Drawer Front	11½	6¼	¾
	Drawer Box	8	3¼	20⅜
B15*	Cabinet Dimension	15	34½	24
	Door Dimension	14½	22½	¾
	Drawer Front	14½	6¼	¾
B18*	Cabinet Dimension	18	34½	24
	Door Dimension	17½	22½	¾
	Drawer Front	17½	6¼	¾
B21*	Cabinet Dimension	21	34½	24
	Door Dimension	20½	22½	¾
	Drawer Front	20½	6¼	¾
	Drawer Box	17	3¼	20⅜

\*Available in: **CAPITAL impressions** collection

## PRODUCT SPECIFICATIONS

### Double Door Single Drawer Bases



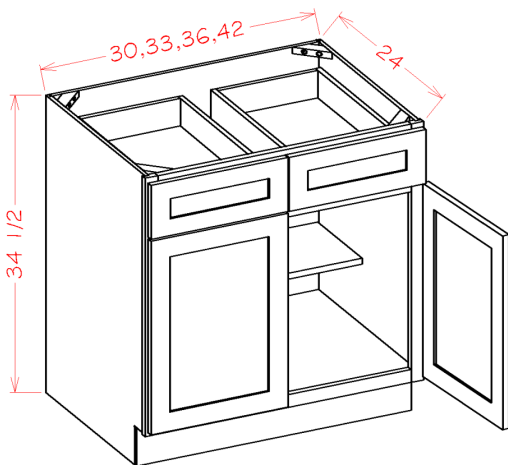
Model	Description	Width	Height	Depth
B24*	Cabinet Dimension	24	34½	24
	Door Dimension	11¾	22½	¾
	Drawer Front	23½	6¼	¾
	Drawer Box	20	3¼	20⅜
B27	Cabinet Dimension	27	34½	24
	Door Dimension	13¾	22½	¾
	Drawer Front	26½	6¼	¾
	Drawer Box	23	3¼	20⅜
B30S*†	Cabinet Dimension	30	34½	24
	Door Dimension	14¾	22½	¾
	Drawer Front	29½	6¼	¾
	Drawer Box	26	3¼	20⅜

† The B30S will be a running change from the B30 with two drawers.

\*Available in: **CAPITAL**  
**impressions**  
collection

39

### Double Door Double Drawer Bases

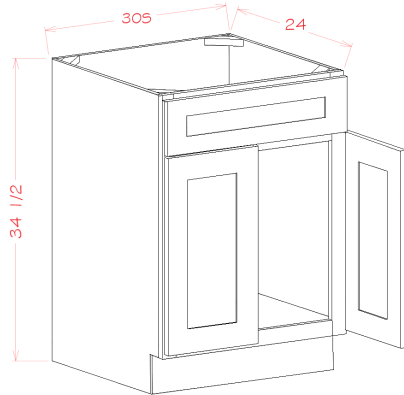


Model	Description	Width	Height	Depth
B30	Cabinet Dimension	30	34½	24
	Door Dimension	14¾	22½	¾
	Drawer Front	14¾	6¼	¾
	Drawer Box	12	3¼	20⅜
B33	Cabinet Dimension	33	34½	24
	Door Dimension	16¼	22½	¾
	Drawer Front	16¼	6¼	¾
	Drawer Box	13½	3¼	20⅜
B36*	Cabinet Dimension	36	34½	24
	Door Dimension	17¾	22½	¾
	Drawer Front	17¾	6¼	¾
	Drawer Box	15	3¼	20⅜
B42	Cabinet Dimension	42	34½	24
	Door Dimension	20¾	22½	¾
	Drawer Front	20¾	6¼	¾
	Drawer Box	18	3¼	20⅜

\*Available in: **CAPITAL**  
**impressions**  
collection

## PRODUCT SPECIFICATIONS

### Sink Bases - Double Door Single Drawer Front

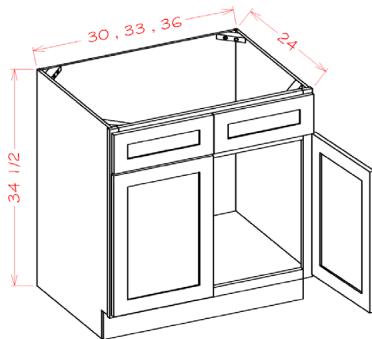


Model	Description	Width	Height	Depth
SB30S*†	Cabinet Dimension	30	34½	24
	Door Dimension	14¾	22½	¾
	Drawer Front	29½	6¼	¾

† The SB30S will be a running change from the SB30 with two drawers.

\*Available in: **CAPITAL impressions**  
collection

### Sink Bases - Double Door Double Drawer Front

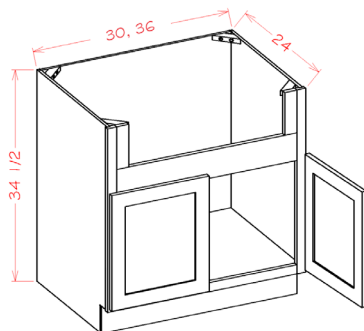


\*Available in: **CAPITAL impressions**  
collection

Model	Description	Width	Height	Depth
SB30	Cabinet Dimension	30	34½	24
	Door Dimension	14¾	22½	¾
	Drawer Front	14¾	6¼	¾
SB33	Cabinet Dimension	33	34½	24
	Door Dimension	16¼	22½	¾
	Drawer Front	16¼	6¼	¾
SB36*	Cabinet Dimension	36	34½	24
	Door Dimension	17¾	22½	¾
	Drawer Front	17¾	6¼	¾

40

### Sink Bases - Farm Sink



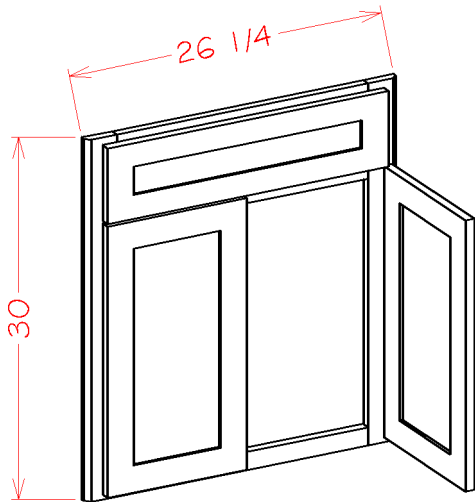
Model	Description	Width	Height	Depth
FSB30	Cabinet Dimension	30	34½	24
	Sink Cutout Dimension	23	7	—
	Door Dimension	14¾	19	¾
FSB36*	Cabinet Dimension	36	34½	24
	Sink Cutout Dimension	29	7	—
	Door Dimension	17¾	19	¾

- FSB30 fits up to a 27"W x 10"H farm sink.
- FSB36 fits up to a 33"W x 10"H farm sink.

\*Available in: **CAPITAL impressions**  
collection

## PRODUCT SPECIFICATIONS

### Sink Bases - Diagonal Sink Front

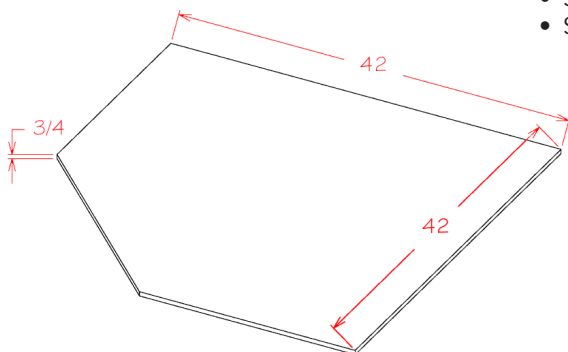


Model	Description	Width	Height	Depth
DCSF42	Cabinet Dimension	26 $\frac{1}{4}$	30	$\frac{3}{4}$
	Door Dimension	11 $\frac{3}{4}$	22 $\frac{1}{2}$	$\frac{3}{4}$

- DCSF42 to be used in conjunction with SBF4242
- Available as a kit item SKU: DCFF42
- Toe Kick Not Included

41

### Sink Bases - Diagonal Sink Floor

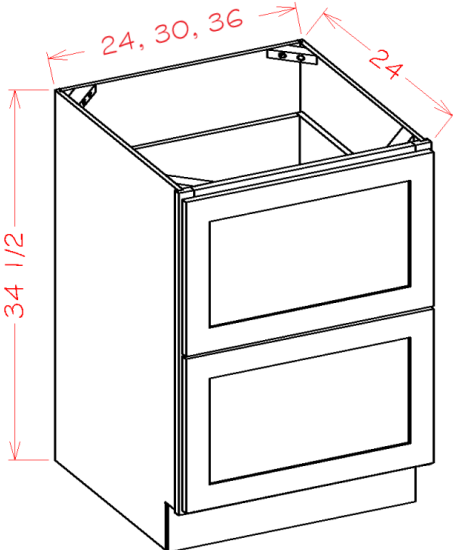


Model	Description	Width	Height	Depth
SBF4242	Door Dimension	42	$\frac{1}{2}$	42

- Sink floor only.
- SBF4242 to be used in conjunction with DCSF42.

## PRODUCT SPECIFICATIONS

Two Drawer Bases

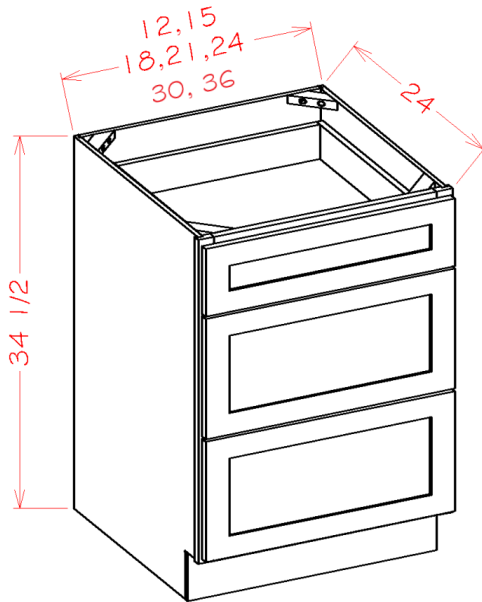


Model	Description	Width	Height	Depth
2DB24	Cabinet Dimension	24	34½	24
	Drawer Front	23½	14½	¾
	Drawer Box	20	8¼	20¾
2DB30*	Cabinet Dimension	30	34½	24
	Drawer Front	29½	14½	¾
	Drawer Box	26	8¼	20¾
2DB36	Cabinet Dimension	36	34½	24
	Drawer Front	35½	14½	¾
	Drawer Box	32	8¼	20¾

\*Available in: **CAPITAL impressions** collection

## PRODUCT SPECIFICATIONS

### Three Drawer Base

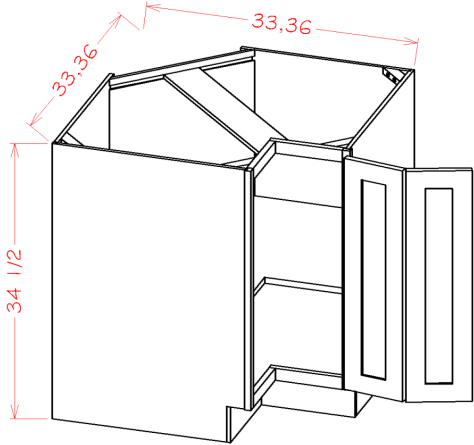


Model	Description	Width	Height	Depth
3DB12	Cabinet Dimension	12	34½	24
	Top Drawer Front	11½	6¼	¾
	Bottom Drawer Front	11½	11⅛	¾
	Top Drawer Box	8	3¾	20¾
	Bottom Drawer Box	8	8¼	20¾
3DB15	Cabinet Dimension	15	34½	24
	Top Drawer Front	14½	6¼	¾
	Bottom Drawer Front	14½	11⅛	¾
	Top Drawer Box	11	3¾	20¾
	Bottom Drawer Box	11	8¼	20¾
3DB18*	Cabinet Dimension	18	34½	24
	Top Drawer Front	17½	6¼	¾
	Bottom Drawer Front	17½	11⅛	¾
	Top Drawer Box	14	3¾	20¾
	Bottom Drawer Box	14	8¼	20¾
3DB21	Cabinet Dimension	21	34½	24
	Top Drawer Front	20½	6¼	¾
	Bottom Drawer Front	20½	11⅛	¾
	Top Drawer Box	17½	3¾	20¾
	Bottom Drawer Box	17½	8¼	20¾
3DB24*	Cabinet Dimension	24	34½	24
	Top Drawer Front	23½	6¼	¾
	Bottom Drawer Front	23½	11⅛	¾
	Top Drawer Box	20	3¾	20¾
	Bottom Drawer Box	20	8¼	20¾
3DB30*	Cabinet Dimension	30	34½	24
	Top Drawer Front	29½	6¼	¾
	Bottom Drawer Front	29½	11⅛	¾
	Top Drawer Box	26	3¾	20¾
	Bottom Drawer Box	26	8¼	20¾
3DB36	Cabinet Dimension	36	34½	24
	Top Drawer Front	35½	6¼	¾
	Bottom Drawer Front	35½	11⅛	¾
	Top Drawer Box	32	3¾	20¾
	Bottom Drawer Box	32	8¼	20¾

\*Available in: **CAPITAL**  
**impressions**  
collection

## PRODUCT SPECIFICATIONS

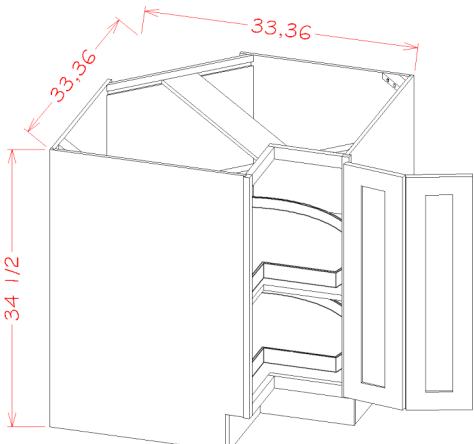
**Base Easy Reach**



Model	Description	Width	Height	Depth
BER33	Cabinet Dimension	33	34½	24
	Door Dimension	7 <sup>5</sup> / <sub>8</sub>	29	¾
BER36	Cabinet Dimension	36	34½	24
	Door Dimension	10 <sup>5</sup> / <sub>8</sub>	29	¾

44

**Base Easy Reach with Lazy Susan Trays**



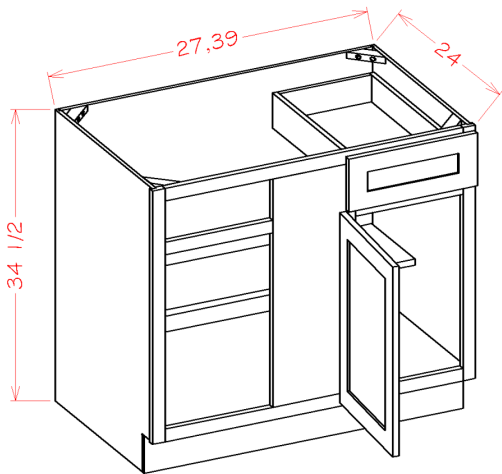
Model	Description	Width	Height	Depth
LSB33	Cabinet Dimension	33	34½	24
	Door Dimension	7 <sup>5</sup> / <sub>8</sub>	29	¾
LSB36	Cabinet Dimension	36	34½	24
	Door Dimension	10 <sup>5</sup> / <sub>8</sub>	29	¾

- LSB33 Inside Opening is 11.5" W and Wooden Lazy Susan Tray is 27.5" W (Comes in a separate box)
- LSB36 Inside Opening is 15.5" W and Wooden Lazy Susan Tray is 27.5" W (Comes in a separate box)
- Two boxes will be received when ordering this cabinet kit flat pack.



## PRODUCT SPECIFICATIONS

### Blind Bases

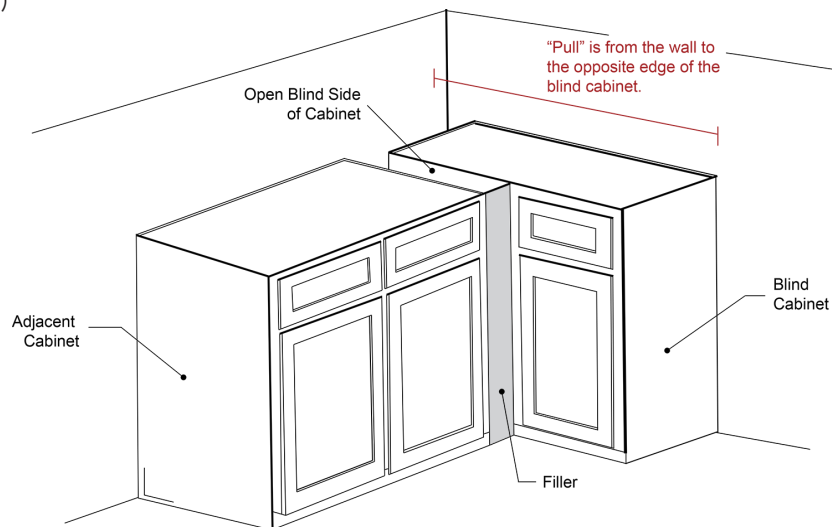


Model	Description	Width	Height	Depth
BBC36	Door Opening	6 <sup>3</sup> / <sub>4</sub>	20 <sup>1</sup> / <sub>2</sub>	22 <sup>3</sup> / <sub>4</sub>
	Cabinet Dimension	27	34 <sup>1</sup> / <sub>2</sub>	24
	Door Dimension	9 <sup>3</sup> / <sub>4</sub>	22 <sup>1</sup> / <sub>2</sub>	<sup>3</sup> / <sub>4</sub>
	Drawer Front	9 <sup>3</sup> / <sub>4</sub>	6 <sup>1</sup> / <sub>4</sub>	<sup>3</sup> / <sub>4</sub>
	Drawer Box	6 <sup>1</sup> / <sub>2</sub>	3 <sup>3</sup> / <sub>8</sub>	20 <sup>3</sup> / <sub>8</sub>
BBC42	Door Opening	12 <sup>3</sup> / <sub>4</sub>	20 <sup>1</sup> / <sub>2</sub>	22 <sup>3</sup> / <sub>4</sub>
	Cabinet Dimension	39	34 <sup>1</sup> / <sub>2</sub>	24
	Door Dimension	15 <sup>3</sup> / <sub>4</sub>	22 <sup>1</sup> / <sub>2</sub>	<sup>3</sup> / <sub>4</sub>
	Drawer Front	15 <sup>3</sup> / <sub>4</sub>	6 <sup>1</sup> / <sub>4</sub>	<sup>3</sup> / <sub>4</sub>
	Drawer Box	12 <sup>3</sup> / <sub>8</sub>	3 <sup>3</sup> / <sub>8</sub>	20 <sup>3</sup> / <sub>8</sub>

Model	Box Size	Min	Max	Stile
-------	----------	-----	-----	-------

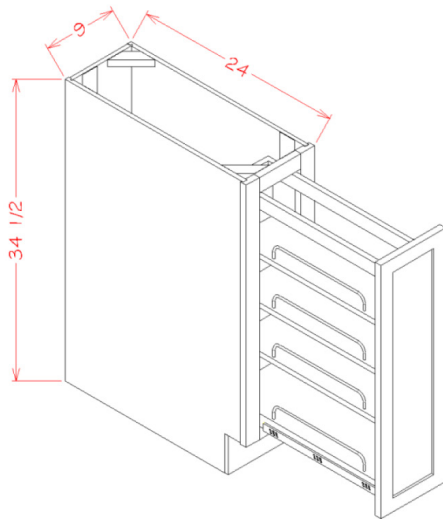
BBC36	27	36 <sup>1</sup> / <sub>2</sub>	43	10
BBC42	39	42 <sup>1</sup> / <sub>2</sub>	49	10

- Must Use Filler (not supplied)



## PRODUCT SPECIFICATIONS

### Accessory Base Cabinets - Full Height Door Base Kit with Shelf Pullout



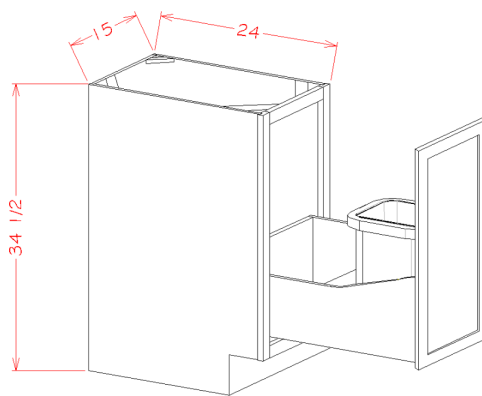
Model	Description	Width	Height	Depth
BT9PO*	Cabinet Dimension	9	34½	24
	Door Dimension	8½	29	¾
	Pullout Dimension	6	25½	22 ¾

- Pullout is mounted to the cabinet floor and door.
- Full-extension slides with BLUMOTION soft-close (110 lb weight capacity).
- Two boxes will be received when ordering this cabinet kit flat pack.

\*Available in: **CAPITAL impressions** collection

46

### Accessory Base Cabinets - Full Height Door Base Kit with Single Trashcan



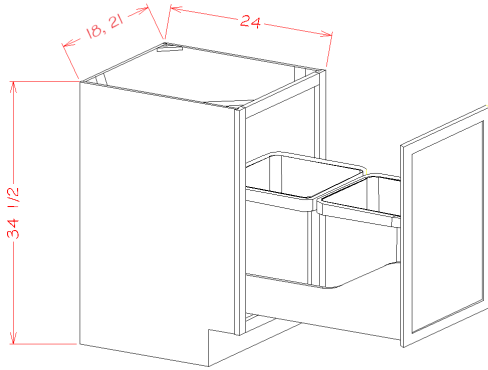
Model	Description	Width	Height	Depth
B15FHTCPO*	Cabinet Dimension	15	34½	24
	Door Dimension	14½	29	¾
	Pullout Dimension	12	19½	21 <sup>21</sup> / <sub>32</sub>
	Trashcan Dimension	14 <sup>3</sup> / <sub>16</sub>	17 <sup>7</sup> / <sub>8</sub>	10½

- Pullout is mounted to the cabinet floor and door.
- Full-extension slides with BLUMOTION soft-close (110 lb weight capacity).
- Single 35qt trashcan.
- Three boxes will be received when ordering this cabinet kit flat pack.

\*Available in: **CAPITAL impressions** collection

## PRODUCT SPECIFICATIONS

### Accessory Base Cabinets - Full Height Door Base Kit with Double Trashcan Pullout



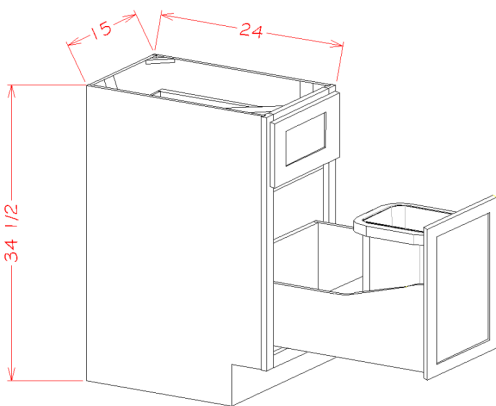
Model	Description	Width	Height	Depth
B18FHTCPO *	Cabinet Dimension	18	34½	24
	Door Dimension	17½	29	¾
	Pullout Dimension	15	20¾	21 <sup>21</sup> / <sub>32</sub>
	Trashcan Dimension	14 <sup>3</sup> / <sub>16</sub>	17¾	10½
B21FHTCPO *	Cabinet Dimension	21	34½	24
	Door Dimension	20½	29	¾
	Pullout Dimension	18	20¾	21 <sup>21</sup> / <sub>32</sub>
	Trashcan Dimension	14 <sup>3</sup> / <sub>16</sub>	17¾	10½

- Pullout is mounted to the cabinet floor and door.
- Full-extension slides with BLUMOTION soft-close (110 lb weight capacity).
- Double 35qt trashcan.
- Three boxes will be received when ordering this cabinet kit flat pack.

\*Available in: **CAPITAL impressions**  
collection

47

### Accessory Base Cabinets - Single Door Single Drawer Base Kit with Single Trashcan Pullout



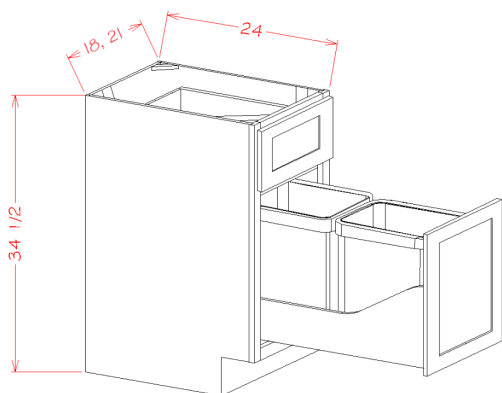
Model	Description	Width	Height	Depth
B15TCPO*	Cabinet Dimension	15	34½	24
	Door Dimension	14½	22½	¾
	Drawer Front	14½	6 ¼	¾
	Drawer Box	11	3 ¼	20¾
	Pullout Dimension	12	19½	21 <sup>21</sup> / <sub>32</sub>
	Trashcan Dimension	14 <sup>3</sup> / <sub>16</sub>	17¾	10½

- Pullout is mounted to the cabinet floor and door.
- Full-extension slides with BLUMOTION soft-close (110 lb weight capacity).
- Single 35qt trashcan.
- Two boxes will be received when ordering this cabinet kit flat pack.

\*Available in: **CAPITAL impressions**  
collection

## PRODUCT SPECIFICATIONS

### Accessory Base Cabinets - Single Door Single Drawer Base Kit with Double Trashcan Pullout



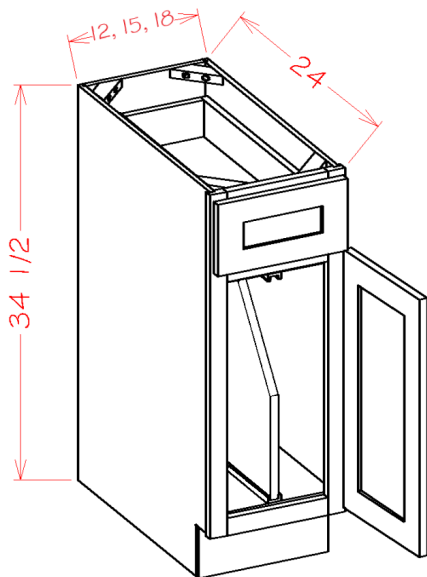
- Pullout is mounted to the cabinet floor and door.
- Full-extension slides with BLUMOTION soft-close (110 lb weight capacity).
- Double 35qt trashcan.
- Two boxes will be received when ordering this cabinet kit flat pack.

Model	Description	Width	Height	Depth
B18TCPO*	Cabinet Dimension	18	34½	24
	Door Dimension	17½	22½	¾
	Drawer Front	17½	6 ¼	¾
	Drawer Box	14	3 ¼	20¾
	Pullout Dimension	15	19½	21 <sup>21/32</sup>
B21TCPO*	Cabinet Dimension	21	34½	24
	Door Dimension	20½	22½	¾
	Drawer Front	20½	6 ¼	¾
	Drawer Box	17	3 ¼	20¾
	Pullout Dimension	18	19½	21 <sup>21/32</sup>
B18TCPO*	Trashcan Dimension	14 <sup>3/16</sup>	17 <sup>7/8</sup>	10½
	Trashcan Dimension	14 <sup>3/16</sup>	17 <sup>7/8</sup>	10½

\*Available in: **CAPITAL impressions** collection

48

### Accessory Base Cabinets - Tray Divider Base Kit



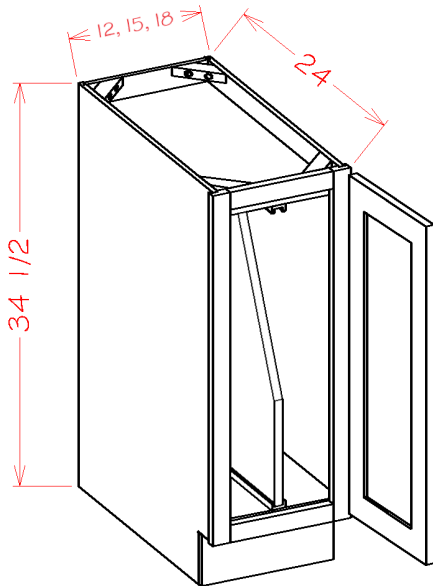
Model	Description	Width	Height	Depth
B12TD	Cabinet Dimension	12	34½	24
	Door Dimension	11½	22½	¾
	Drawer Front	11½	6¼	¾
	Drawer Box	8	3¼	20¾
	Tray Divider	¾	21	22½
B15TD*	Cabinet Dimension	15	34½	24
	Door Dimension	14½	22½	¾
	Drawer Front	14½	6¼	¾
	Tray Divider	¾	21	22½
B18TD*	Cabinet Dimension	18	34½	24
	Door Dimension	17½	22½	¾
	Drawer Front	17½	6¼	¾
	Tray Divider	¾	21	22½

- B18TD Includes Two Dividers
- Two boxes will be received when ordering this cabinet kit flat pack.

\*Available in: **CAPITAL impressions** collection

## PRODUCT SPECIFICATIONS

### Accessory Base Cabinets - Full Height Tray Divider Base Kit



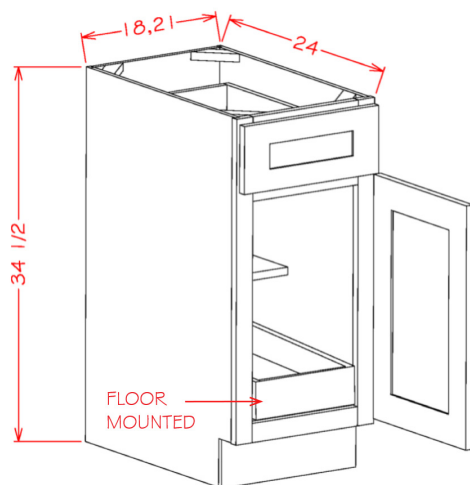
Model	Description	Width	Height	Depth
B12FHTD	Cabinet Dimension	12	34½	24
	Door Dimension	11½	29	¾
	Tray Divider	¾	27	22½
B15FHTD*	Cabinet Dimension	15	34½	24
	Door Dimension	14½	29	¾
	Tray Divider	¾	27	22½
B18FHTD*	Cabinet Dimension	18	34½	24
	Door Dimension	17½	29	¾
	Tray Divider	¾	27	22½

- B18FHTD Includes Two Dividers
- Three boxes will be received when ordering this cabinet kit flat pack.

\*Available in: **CAPITAL impressions**  
collection

49

### Accessory Base Cabinets - Single Door Single Drawer One Rollout Shelf Base Kit



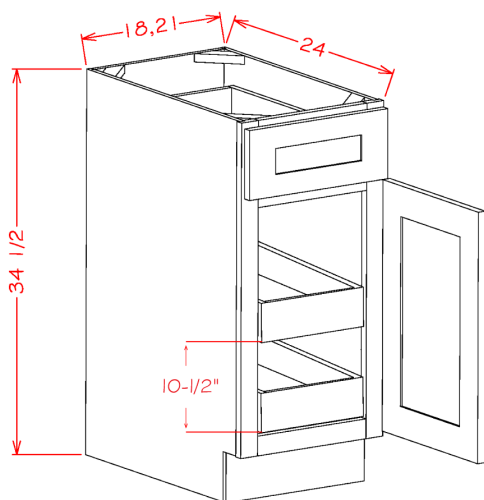
Model	Description	Width	Height	Depth
B181RS*	Cabinet Dimension	18	34½	24
	Door Dimension	17½	22½	¾
	Drawer Front	17½	6¼	¾
	Drawer Box	14	3¼	20¾
	Rollout Shelf	13¾	3¾	20⅞
B211RS*	Cabinet Dimension	21	34½	24
	Door Dimension	20½	22½	¾
	Drawer Front	20½	6¼	¾
	Drawer Box	17	3¼	20¾
	Rollout Shelf	16¾	3¾	20⅞

- Assembled cabinets with Rollout Shelf kits are ONLY installed as indicated in the line drawing
- Two boxes will be received when ordering this cabinet kit flat pack.
- Rollout Shelf glides are side mounted ball bearing with no soft close.
- Rollout Shelf Recommended Max Weight: 35lbs

\*Available in: **CAPITAL impressions**  
collection

## PRODUCT SPECIFICATIONS

### Accessory Base Cabinets - Single Door Single Drawer Two Rollout Shelf Base Kit



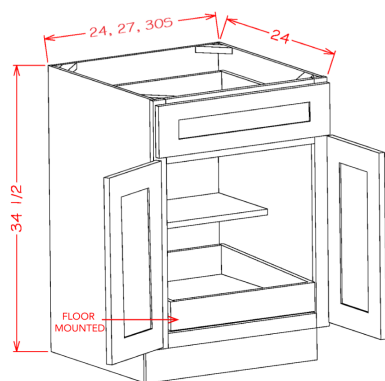
Model	Description	Width	Height	Depth
B182RS*	Cabinet Dimension	18	34½	24
	Door Dimension	17½	22½	¾
	Drawer Front	17½	6¼	¾
	Drawer Box	14	3¼	20¾
	Rollout Shelf	13¾	3¾	20⅞
B212RS*	Cabinet Dimension	21	34½	24
	Door Dimension	20½	22½	¾
	Drawer Front	20½	6¼	¾
	Drawer Box	17	3¼	20¾
	Rollout Shelf	16¾	3¾	20⅞

- Assembled cabinets with Rollout Shelf kits are ONLY installed as indicated in the line drawing
- Three boxes will be received when ordering this cabinet kit flat pack.
- Rollout Shelf glides are side mounted ball bearing with no soft close.
- Rollout Shelf Recommended Max Weight: 35lbs

\*Available in: **CAPITAL impressions** collection

50

### Accessory Base Cabinets - Double Door Single Drawer One Rollout Shelf Base Kit



Model	Description	Width	Height	Depth
B241RS*	Cabinet Dimension	24	34½	24
	Door Dimension	11¾	22½	¾
	Drawer Front	23½	6¼	¾
	Drawer Box	20	3¼	20¾
	Rollout Shelf	19½	3¾	20⅞
B271RS	Cabinet Dimension	27	34½	24
	Door Dimension	13¼	22½	¾
	Drawer Front	26½	6¼	¾
	Drawer Box	23	3¼	20¾
	Rollout Shelf	22½	3¾	20⅞
B30S1RS*	Cabinet Dimension	30	34½	24
	Door Dimension	14¾	22½	¾
	Drawer Front	29½	6¼	¾
	Drawer Box	26	3¼	20¾
	Rollout Shelf	22½	3¾	20⅞

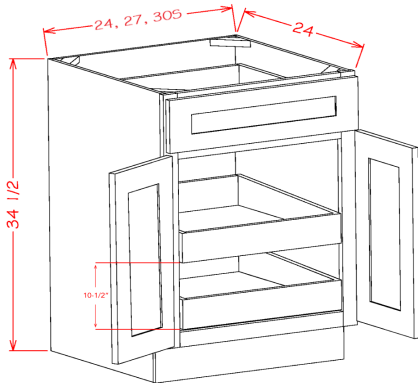
- Assembled cabinets with Rollout Shelf kits are ONLY installed as indicated in the line drawing
- Two boxes will be received when ordering this cabinet kit flat pack.
- Rollout Shelf glides are side mounted ball bearing with no soft close.
- Rollout Shelf Recommended Max Weight: 35lbs

\*The B30S will be a running change from the B30 with two drawers.

\*Available in: **CAPITAL impressions** collection

## PRODUCT SPECIFICATIONS

### Accessory Base Cabinets - Double Door Single Drawer Two Rollout Shelf Base Kit



- Assembled cabinets with Rollout Shelf kits are ONLY installed as indicated in the line drawing
- Three boxes will be received when ordering this cabinet kit flat pack.
- Rollout Shelf glides are side mounted ball bearing with no soft close.
- Rollout Shelf Recommended Max Weight: 35lbs

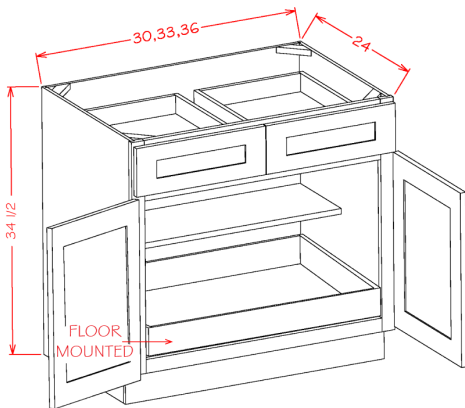
\*Available in: **CAPITAL impressions** collection

Model	Description	Width	Height	Depth
B242RS	Cabinet Dimension	24	34½	24
	Door Dimension	11¾	22½	¾
	Drawer Front	23½	6¼	¾
	Drawer Box	20	3¼	20⅜
	Rollout Shelf	19½	3⅜	20⅞
B272RS	Cabinet Dimension	27	34½	24
	Door Dimension	13¾	22½	¾
	Drawer Front	26½	6¼	¾
	Drawer Box	23	3¼	20⅜
	Rollout Shelf	22½	3⅜	20⅞
B30S2RS*†	Cabinet Dimension	30	34½	24
	Door Dimension	14¾	22½	¾
	Drawer Front	29½	6¼	¾
	Drawer Box	26	3¼	20⅜
	Rollout Shelf	22½	3⅜	20⅞

† The B30S will be a running change from the B30 with two drawers.

51

### Accessory Base Cabinets - Double Door Double Drawer One Rollout Shelf Base Kit



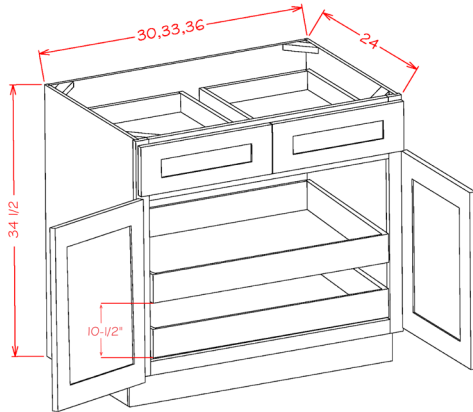
- Assembled cabinets with Rollout Shelf kits are ONLY installed as indicated in the line drawing
- Two boxes will be received when ordering this cabinet kit flat pack.
- Rollout Shelf glides are side mounted ball bearing with no soft close.
- Rollout Shelf Recommended Max Weight: 35lbs

\*Available in: **CAPITAL impressions** collection

Model	Description	Width	Height	Depth
B301RS	Cabinet Dimension	30	34½	24
	Door Dimension	14¾	22½	¾
	Drawer Front	14¾	6¼	¾
	Drawer Box	12	3¼	20⅜
	Rollout Shelf	25⅜	3⅜	20⅞
B331RS	Cabinet Dimension	33	34½	24
	Door Dimension	16¼	22½	¾
	Drawer Front	16¼	6¼	¾
	Drawer Box	13½	3¼	20⅜
	Rollout Shelf	28⅜	3⅜	20⅞
B361RS*	Cabinet Dimension	36	34½	24
	Door Dimension	17¾	22½	¾
	Drawer Front	17¾	6¼	¾
	Drawer Box	15	3¼	20⅜
	Rollout Shelf	31⅜	3⅜	20⅞

## PRODUCT SPECIFICATIONS

### Accessory Base Cabinets - Double Door Double Drawer Two Rollout Shelf Base Kit



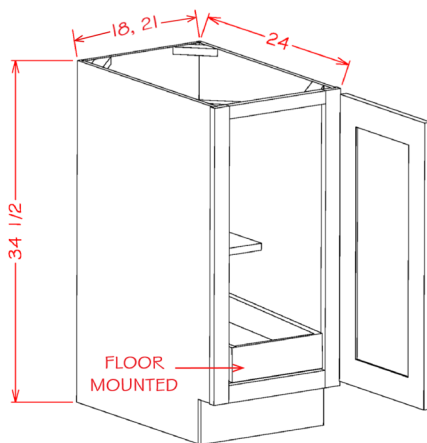
- Assembled cabinets with Rollout Shelf kits are ONLY installed as indicated in the line drawing
- Three boxes will be received when ordering this cabinet kit flat pack.
- Rollout Shelf glides are side mounted ball bearing with no soft close.
- Rollout Shelf Recommended Max Weight: 35lbs

Model	Description	Width	Height	Depth
B302RS	Cabinet Dimension	30	34½	24
	Door Dimension	14¾	22½	¾
	Drawer Front	14¾	6¼	¾
	Drawer Box	12	3¼	20¾
	Rollout Shelf	25¾	3¾	20⅞
B332RS	Cabinet Dimension	33	34½	24
	Door Dimension	16¼	22½	¾
	Drawer Front	16¼	6¼	¾
	Drawer Box	13½	3¼	20¾
	Rollout Shelf	28¾	3¾	20⅞
B362RS*	Cabinet Dimension	36	34½	24
	Door Dimension	17¾	22½	¾
	Drawer Front	17¾	6¼	¾
	Drawer Box	15	3¼	20¾
	Rollout Shelf	31¾	3¾	20⅞

\*Available in: **CAPITAL impressions** collection

52

### Accessory Base Cabinets - Single Full Height Door One Rollout Shelf Base Kit



Model	Description	Width	Height	Depth
B18FH1RS*	Cabinet Dimension	18	34½	24
	Door Dimension	17½	29	¾
	Rollout Shelf	13¾	3¾	20⅞
B21FH1RS*	Cabinet Dimension	21	34½	24
	Door Dimension	20½	29	¾
	Rollout Shelf	16¾	3¾	20⅞

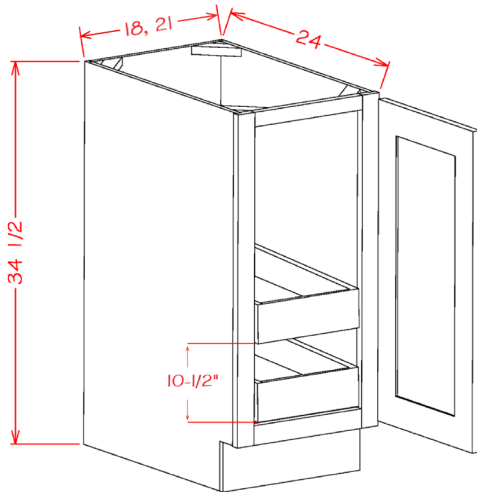
- Assembled cabinets with Rollout Shelf kits are ONLY installed as indicated in the line drawing
- Three boxes will be received when ordering this cabinet kit flat pack.
- Rollout Shelf glides are side mounted ball bearing with no soft close.
- Rollout Shelf Recommended Max Weight: 35lbs

\*Available in: **CAPITAL impressions** collection



## PRODUCT SPECIFICATIONS

### Accessory Base Cabinets - Single Full Height Door Two Rollout Shelf Base Kit



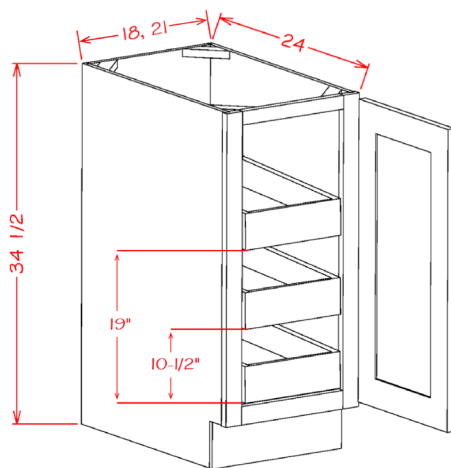
Model	Description	Width	Height	Depth
B18FH2RS*	Cabinet Dimension	18	34½	24
	Door Dimension	17½	29	¾
	Rollout Shelf	13¾	3¾	20⅞
B21FH2RS*	Cabinet Dimension	21	34½	24
	Door Dimension	20½	29	¾
	Rollout Shelf	16¾	3¾	20⅞

- Assembled cabinets with Rollout Shelf kits are ONLY installed as indicated in the line drawing
- Four boxes will be received when ordering this cabinet kit flat pack.
- Rollout Shelf glides are side mounted ball bearing with no soft close.
- Rollout Shelf Recommended Max Weight: 35lbs

\*Available in: **CAPITAL impressions**  
collection

53

### Accessory Base Cabinets - Single Full Height Door Three Rollout Shelf Base Kit



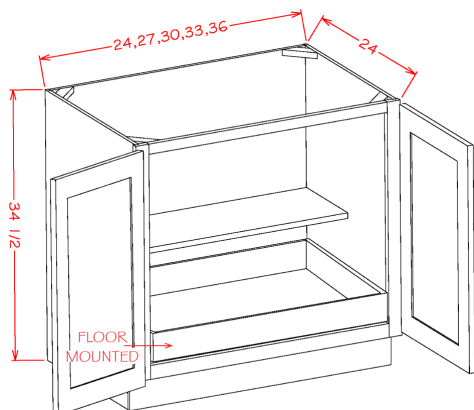
Model	Description	Width	Height	Depth
B18FH3RS*	Cabinet Dimension	18	34½	24
	Door Dimension	17½	29	¾
	Rollout Shelf	13¾	3¾	20⅞
B21FH3RS*	Cabinet Dimension	21	34½	24
	Door Dimension	20½	29	¾
	Rollout Shelf	16¾	3¾	20⅞

- Assembled cabinets with Rollout Shelf kits are ONLY installed as indicated in the line drawing
- Five boxes will be received when ordering this cabinet kit flat pack.
- Rollout Shelf glides are side mounted ball bearing with no soft close.
- Rollout Shelf Recommended Max Weight: 35lbs

\*Available in: **CAPITAL impressions**  
collection

## PRODUCT SPECIFICATIONS

### Accessory Base Cabinets - Double Full Height Door One Rollout Shelf Base Kit



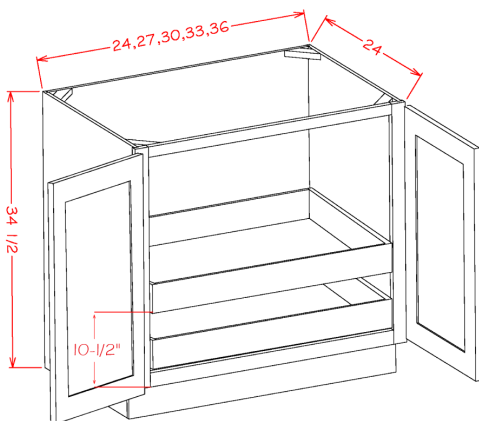
- Assembled cabinets with Rollout Shelf kits are ONLY installed as indicated in the line drawing
- Three boxes will be received when ordering this cabinet kit flat pack.
- Rollout Shelf glides are side mounted ball bearing with no soft close.
- Rollout Shelf Recommended Max Weight: 35lbs

Model	Description	Width	Height	Depth
B24FH1RS*	Cabinet Dimension	24	34½	24
	Door Dimension	11¾	29	¾
	Rollout Shelf	19½	3¾	20⅞
B27FH1RS	Cabinet Dimension	27	34½	24
	Door Dimension	13¾	29	¾
	Rollout Shelf	22½	3¾	20⅞
B30FH1RS*	Cabinet Dimension	30	34½	24
	Door Dimension	14¾	29	¾
	Rollout Shelf	25¾	3¾	20⅞
B33FH1RS	Cabinet Dimension	33	34½	24
	Door Dimension	16¾	29	¾
	Rollout Shelf	28¾	3¾	20⅞
B36FH1RS*	Cabinet Dimension	36	34½	24
	Door Dimension	17¾	29	¾
	Rollout Shelf	31¾	3¾	20⅞

\*Available in: **CAPITAL impressions**  
collection

54

### Accessory Base Cabinets - Double Full Height Door Two Rollout Shelf Base Kit



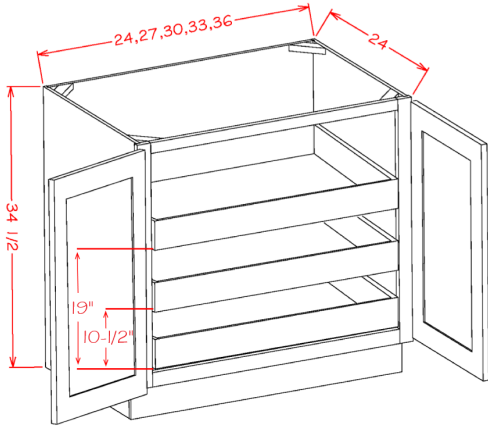
- Assembled cabinets with Rollout Shelf kits are ONLY installed as indicated in the line drawing
- Four boxes will be received when ordering this cabinet kit flat pack.
- Rollout Shelf glides are side mounted ball bearing with no soft close.
- Rollout Shelf Recommended Max Weight: 35lbs

Model	Description	Width	Height	Depth
B24FH2RS*	Cabinet Dimension	24	34½	24
	Door Dimension	11¾	29	¾
	Rollout Shelf	19½	3¾	20⅞
B27FH2RS	Cabinet Dimension	27	34½	24
	Door Dimension	13¾	29	¾
	Rollout Shelf	22½	3¾	20⅞
B30FH2RS*	Cabinet Dimension	30	34½	24
	Door Dimension	14¾	29	¾
	Rollout Shelf	25¾	3¾	20⅞
B33FH2RS	Cabinet Dimension	33	34½	24
	Door Dimension	16¾	29	¾
	Rollout Shelf	28¾	3¾	20⅞
B36FH2RS*	Cabinet Dimension	36	34½	24
	Door Dimension	17¾	29	¾
	Rollout Shelf	31¾	3¾	20⅞

\*Available in: **CAPITAL impressions**  
collection

## PRODUCT SPECIFICATIONS

### Accessory Base Cabinets - Double Full Height Door Three Rollout Shelf Base Kit

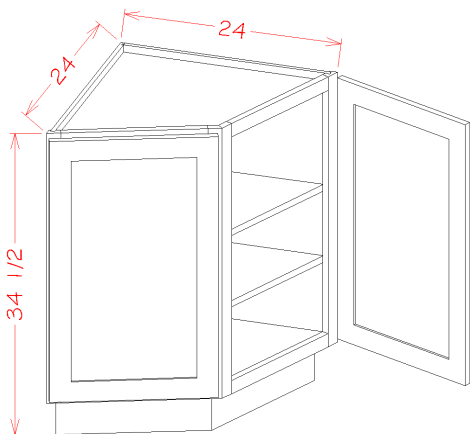


- Assembled cabinets with Rollout Shelf kits are ONLY installed as indicated in the line drawing
- Five boxes will be received when ordering this cabinet kit flat pack.
- Rollout Shelf glides are side mounted ball bearing with no soft close.
- Rollout Shelf Recommended Max Weight: 35lbs

Model	Description	Width	Height	Depth
B24FH3RS*	Cabinet Dimension	24	34½	24
	Door Dimension	11¾	29	¾
	Rollout Shelf	19½	3⅜	20⅞
B27FH3RS	Cabinet Dimension	27	34½	24
	Door Dimension	13¾	29	¾
	Rollout Shelf	22½	3⅜	20⅞
B30FH3RS*	Cabinet Dimension	30	34½	24
	Door Dimension	14¾	29	¾
	Rollout Shelf	25⅜	3⅜	20⅞
B33FH3RS	Cabinet Dimension	33	34½	24
	Door Dimension	16¾	29	¾
	Rollout Shelf	28⅜	3⅜	20⅞
B36FH3RS*	Cabinet Dimension	36	34½	24
	Door Dimension	17¾	29	¾
	Rollout Shelf	31⅜	3⅜	20⅞

\*Available in: **CAPITAL**  
**impressions**  
collection

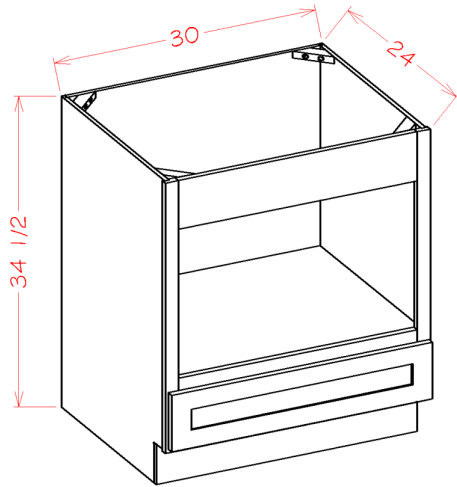
### Specialty Bases - Base End Cabinet



Model	Description	Width	Height	Depth
BEC24	Cabinet Dimension	30	34½	24
	Door Dimension	17½	29	¾

## PRODUCT SPECIFICATIONS

### Specialty Bases - Base Microwave Cabinet

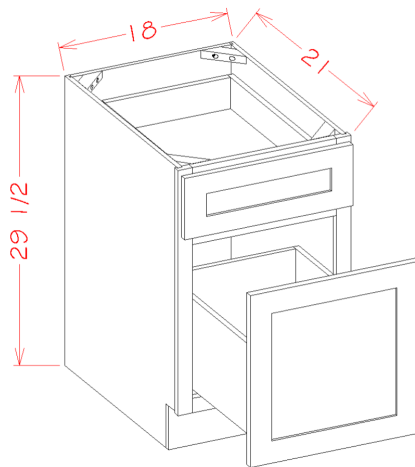


Model	Description	Width	Height	Depth
BMW30*	Cabinet Dimension	30	34½	24
	Microwave Opening	26½	16½	23
	Drawer Front	29½	6¼	¾
	Drawer Box	26	3¾	21

- Microwave opening trimmable to 20⅞" H.
- Natural Interior

\*Available in: **CAPITAL impressions** collection

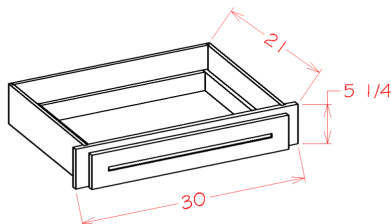
### Specialty Bases - Drawer File Base



Model	Description	Width	Height	Depth
DFB18*	Cabinet Dimension	18	29½	21
	Top Drawer Front	17½	6¼	¾
	Bottom Drawer Front	17½	17½	¾
	Top Drawer Box	14	3¾	17¾
	Bottom Drawer Box	14	9¼	17¾

\*Available in: **CAPITAL impressions** collection

### Specialty Bases - Desk Knee Drawer

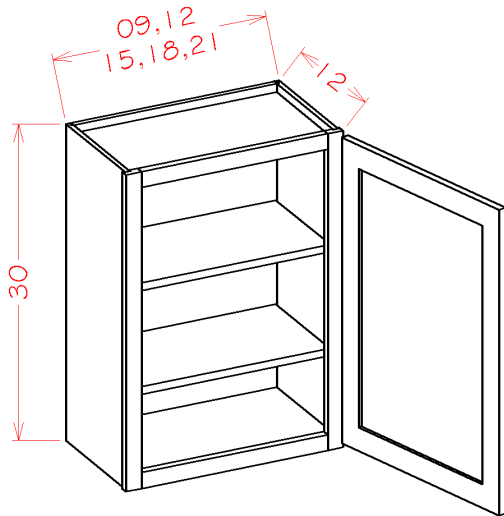


Model	Description	Width	Height	Depth
DKD30	Cabinet Dimension	30	5¼	21
	Drawer Front	27	4½	¾
	Drawer Box	23	3¼	17¾

- Trimmable to 28"W.

## PRODUCT SPECIFICATIONS

### 30" High Wall Cabinets - Single Door \*2 adjustable Shelves

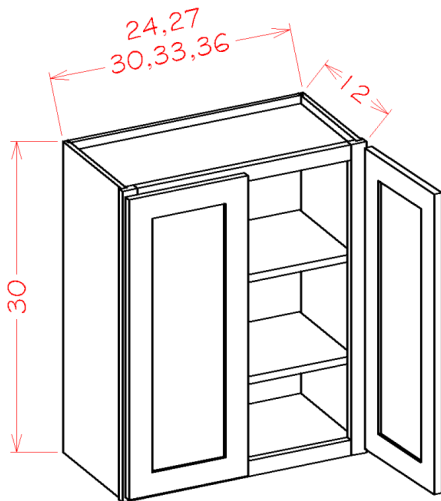


Model	Description	Width	Height	Depth
W0930	Cabinet Dimension	9	30	12
	Door Dimension	8½	29	¾
W1230	Cabinet Dimension	12	30	12
	Door Dimension	11½	29	¾
W1530	Cabinet Dimension	15	30	12
	Door Dimension	14½	29	¾
W1830*	Cabinet Dimension	18	30	12
	Door Dimension	17½	29	¾
W2130	Cabinet Dimension	21	30	12
	Door Dimension	20½	29	¾

\*Available in: **CAPITAL**  
**impressions**  
collection

57

### 30" High Wall Cabinets - Double Door \*2 adjustable Shelves

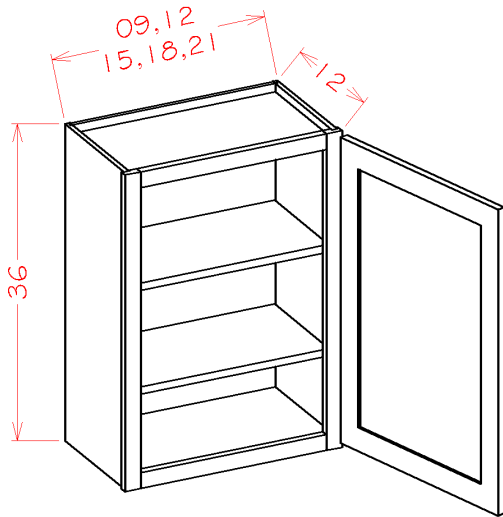


Model	Description	Width	Height	Depth
W2430*	Cabinet Dimension	24	30	12
	Door Dimension	11¾	29	¾
W2730	Cabinet Dimension	27	30	12
	Door Dimension	13¾	29	¾
W3030*	Cabinet Dimension	30	30	12
	Door Dimension	14¾	29	¾
W3330	Cabinet Dimension	33	30	12
	Door Dimension	16¾	29	¾
W3630	Cabinet Dimension	36	30	12
	Door Dimension	17¾	29	¾

\*Available in: **CAPITAL**  
**impressions**  
collection

## PRODUCT SPECIFICATIONS

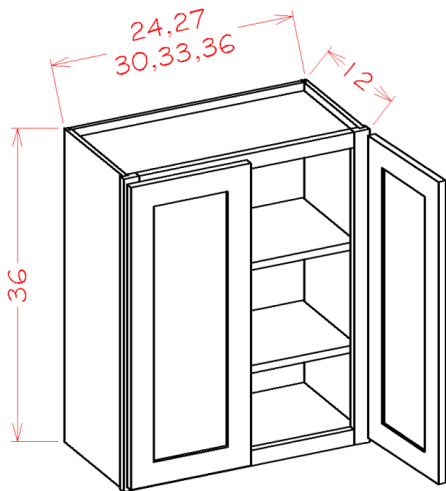
### 36" High Wall Cabinets - Single Door \*2 adjustable Shelves



Model	Description	Width	Height	Depth
W0936	Cabinet Dimension	9	36	12
	Door Dimension	8½	35	¾
W1236	Cabinet Dimension	12	36	12
	Door Dimension	11½	35	¾
W1536	Cabinet Dimension	15	36	12
	Door Dimension	14½	35	¾
W1836	Cabinet Dimension	18	36	12
	Door Dimension	17½	35	¾
W2136	Cabinet Dimension	21	36	12
	Door Dimension	20½	35	¾

58

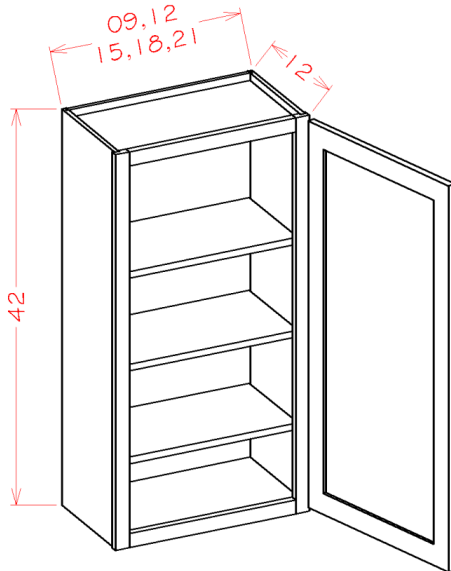
### 36" High Wall Cabinets - Double Door \*2 adjustable Shelves



Model	Description	Width	Height	Depth
W2436	Cabinet Dimension	24	36	12
	Door Dimension	11¾	35	¾
W2736	Cabinet Dimension	27	36	12
	Door Dimension	13¾	35	¾
W3036	Cabinet Dimension	30	36	12
	Door Dimension	14¾	35	¾
W3336	Cabinet Dimension	33	36	12
	Door Dimension	16¾	35	¾
W3636	Cabinet Dimension	36	36	12
	Door Dimension	17¾	35	¾

## PRODUCT SPECIFICATIONS

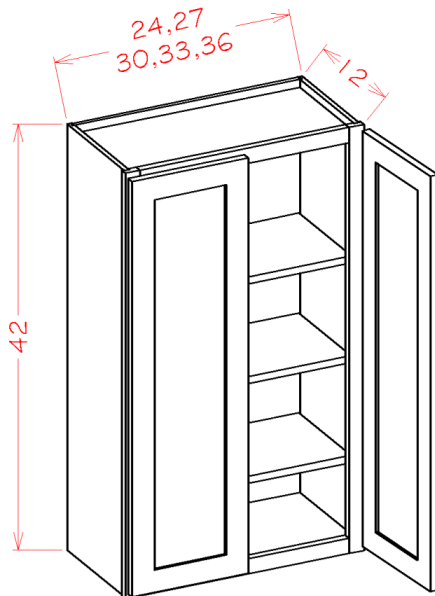
### 42" High Wall Cabinets - Single Door \*3 Adjustable Shelves



Model	Description	Width	Height	Depth
W0942	Cabinet Dimension	9	42	12
	Door Dimension	8½	41	¾
W1242	Cabinet Dimension	12	42	12
	Door Dimension	11½	41	¾
W1542	Cabinet Dimension	15	42	12
	Door Dimension	14½	41	¾
W1842	Cabinet Dimension	18	42	12
	Door Dimension	17½	41	¾
W2142	Cabinet Dimension	21	42	12
	Door Dimension	20½	41	¾

59

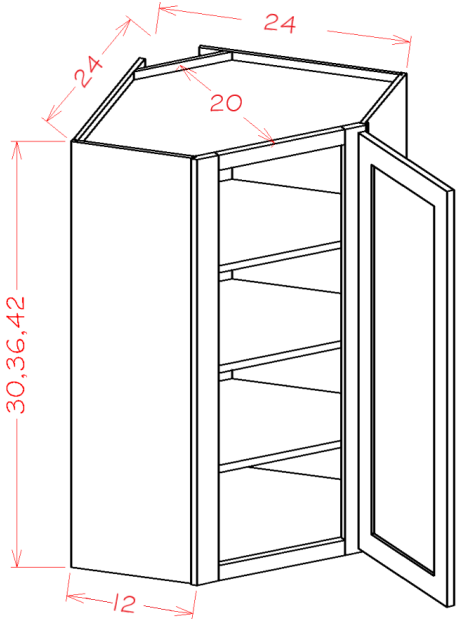
### 42" High Wall Cabinets - Double Door \*3 Adjustable Shelves



Model	Description	Width	Height	Depth
W2442	Cabinet Dimension	24	42	12
	Door Dimension	11¾	41	¾
W2742	Cabinet Dimension	27	42	12
	Door Dimension	13¾	41	¾
W3042	Cabinet Dimension	30	42	12
	Door Dimension	14¾	41	¾
W3342	Cabinet Dimension	33	42	12
	Door Dimension	16¼	41	¾
W3642	Cabinet Dimension	36	42	12
	Door Dimension	17¾	41	¾

## PRODUCT SPECIFICATIONS

**Diagonal Corner Wall Cabinets**

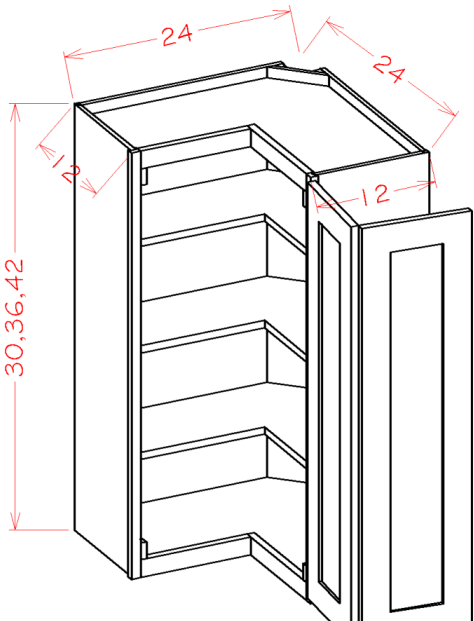


Model	Description	Width	Height	Depth
DCW2430	Cabinet Dimension	24	30	12
	Door Dimension	15 $\frac{1}{4}$	29	$\frac{3}{4}$
DCW2436	Cabinet Dimension	24	36	12
	Door Dimension	15 $\frac{1}{4}$	35	$\frac{3}{4}$
DCW2442	Cabinet Dimension	24	42	12
	Door Dimension	15 $\frac{1}{4}$	41	$\frac{3}{4}$

- DCW Inside Openings are 12 $\frac{1}{8}$ "W.
- 30 and 36" H cabinets only have two shelves.

60

**Wall Easy Reach**



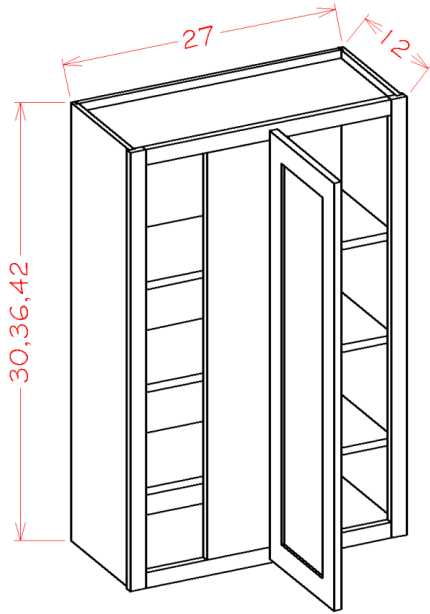
Model	Description	Width	Height	Depth
WER2430	Cabinet Dimension	24	30	12
	Door Dimension	10 $\frac{5}{8}$	29	$\frac{3}{4}$
WER2436	Cabinet Dimension	24	36	12
	Door Dimension	10 $\frac{5}{8}$	35	$\frac{3}{4}$
WER2442	Cabinet Dimension	24	42	12
	Door Dimension	10 $\frac{5}{8}$	41	$\frac{3}{4}$

- 30 and 36" H cabinets only have two shelves.

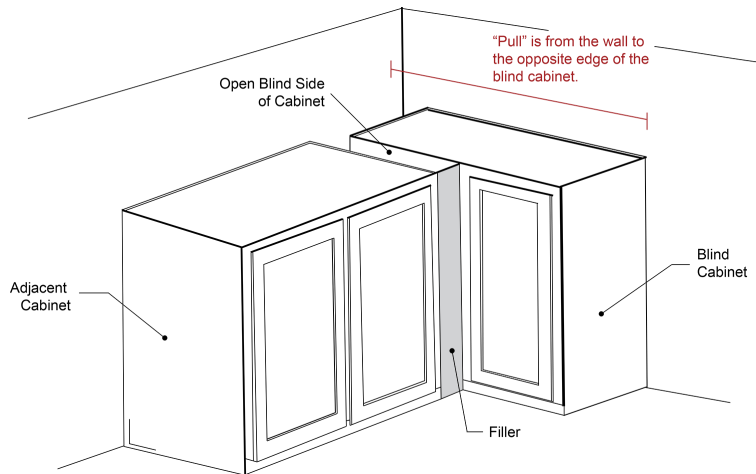


## PRODUCT SPECIFICATIONS

### Wall Blind Cabinets



Model	Description	Width	Height	Depth
WBC2730	Cabinet Dimension	27	30	12
	Door Dimension	12½	29	¾
	Door Opening	7¾	26½	12
WBC2736	Cabinet Dimension	27	36	12
	Door Dimension	12½	35	¾
	Door Opening	7¾	32½	12
WBC2742	Cabinet Dimension	27	42	12
	Door Dimension	12½	41	¾
	Door Opening	7¾	38½	12

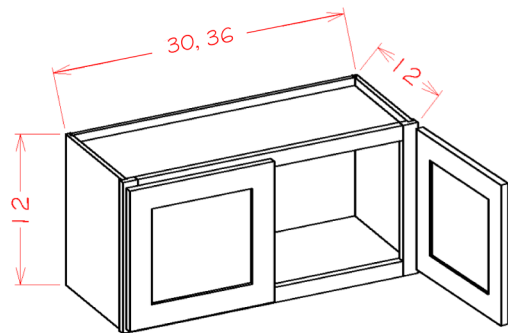


Box Size	Min	Max	Stile
27	28	31	8

- Must Use Filler (not supplied).

61

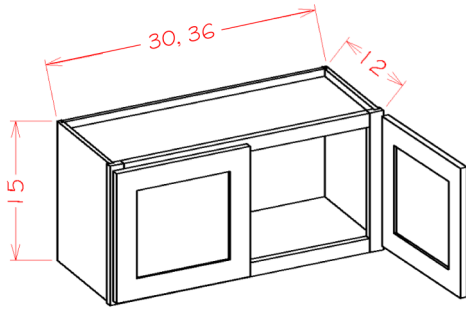
### Bridge Cabinets - 12" High



Model	Description	Width	Height	Depth
W3012	Cabinet Dimension	30	12	12
	Door Dimension	14¾	11	¾
W3612	Cabinet Dimension	36	12	12
	Door Dimension	17¾	11	¾

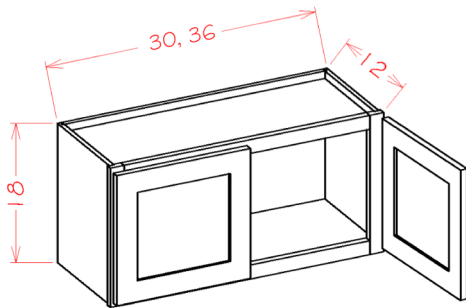
## PRODUCT SPECIFICATIONS

### Bridge Cabinets - 15" High



Model	Description	Width	Height	Depth
W3015	Cabinet Dimension	30	15	12
	Door Dimension	14 <sup>3</sup> / <sub>4</sub>	14	<sup>3</sup> / <sub>4</sub>
W3615	Cabinet Dimension	36	15	12
	Door Dimension	17 <sup>3</sup> / <sub>4</sub>	14	<sup>3</sup> / <sub>4</sub>

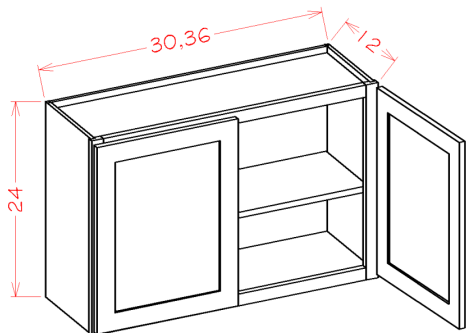
### Bridge Cabinets - 18" High



Model	Description	Width	Height	Depth
W3018*	Cabinet Dimension	30	18	12
	Door Dimension	14 <sup>3</sup> / <sub>4</sub>	17	<sup>3</sup> / <sub>4</sub>
W3618	Cabinet Dimension	36	18	12
	Door Dimension	17 <sup>3</sup> / <sub>4</sub>	17	<sup>3</sup> / <sub>4</sub>

\*Available in: **CAPITAL impressions**  
collection

### Bridge Cabinets - 24" High

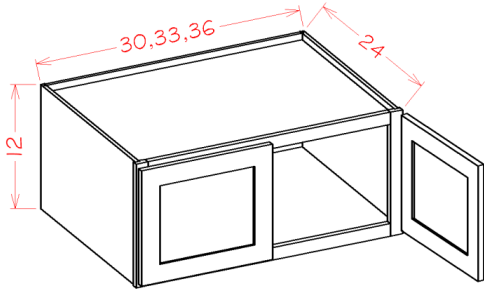


Model	Description	Width	Height	Depth
W3024	Cabinet Dimension	30	24	12
	Door Dimension	14 <sup>3</sup> / <sub>4</sub>	23	<sup>3</sup> / <sub>4</sub>
W3624	Cabinet Dimension	36	24	12
	Door Dimension	17 <sup>3</sup> / <sub>4</sub>	23	<sup>3</sup> / <sub>4</sub>

- All 24"H cabinets include one inner shelf.

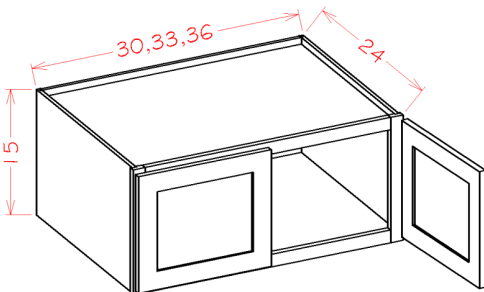
## PRODUCT SPECIFICATIONS

### Wall Refrigerator Cabinets - 12" H (24" deep)



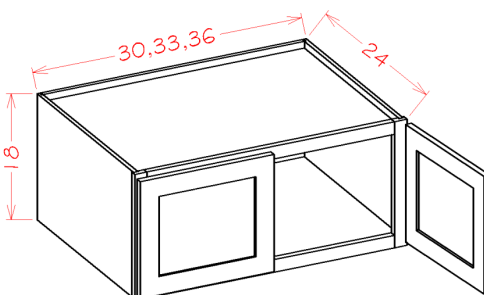
Model	Description	Width	Height	Depth
W301224	Cabinet Dimension	30	12	24
	Door Dimension	14 <sup>3</sup> / <sub>4</sub>	11	<sup>3</sup> / <sub>4</sub>
W331224	Cabinet Dimension	33	12	24
	Door Dimension	16 <sup>1</sup> / <sub>2</sub>	11	<sup>3</sup> / <sub>4</sub>
W361224	Cabinet Dimension	36	12	24
	Door Dimension	17 <sup>3</sup> / <sub>4</sub>	11	<sup>3</sup> / <sub>4</sub>

### Wall Refrigerator Cabinets - 15" H (24" deep)



Model	Description	Width	Height	Depth
W301524	Cabinet Dimension	30	15	24
	Door Dimension	14 <sup>3</sup> / <sub>4</sub>	14	<sup>3</sup> / <sub>4</sub>
W331524	Cabinet Dimension	33	15	24
	Door Dimension	16 <sup>1</sup> / <sub>2</sub>	14	<sup>3</sup> / <sub>4</sub>
W361524	Cabinet Dimension	36	15	24
	Door Dimension	17 <sup>3</sup> / <sub>4</sub>	14	<sup>3</sup> / <sub>4</sub>

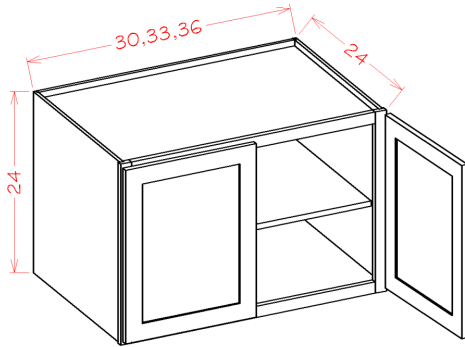
### Wall Refrigerator Cabinets - 18" H (24" deep)



Model	Description	Width	Height	Depth
W301824	Cabinet Dimension	30	18	24
	Door Dimension	14 <sup>3</sup> / <sub>4</sub>	17	<sup>3</sup> / <sub>4</sub>
W331824	Cabinet Dimension	33	18	24
	Door Dimension	16 <sup>1</sup> / <sub>2</sub>	17	<sup>3</sup> / <sub>4</sub>
W361824	Cabinet Dimension	36	18	24
	Door Dimension	17 <sup>3</sup> / <sub>4</sub>	17	<sup>3</sup> / <sub>4</sub>

## PRODUCT SPECIFICATIONS

### Wall Refrigerator Cabinets - 24" H (24" deep)

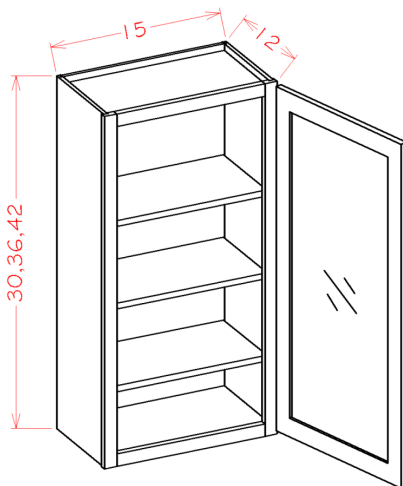


Model	Description	Width	Height	Depth
W302424	Cabinet Dimension	30	24	24
	Door Dimension	14¾	23	¾
W332424	Cabinet Dimension	33	24	24
	Door Dimension	16½	23	¾
W362424	Cabinet Dimension	36	24	24
	Door Dimension	17¾	23	¾

- All 24"H cabinets include one inner shelf.

64

### Glass Door Wall Cabinets - Single Door



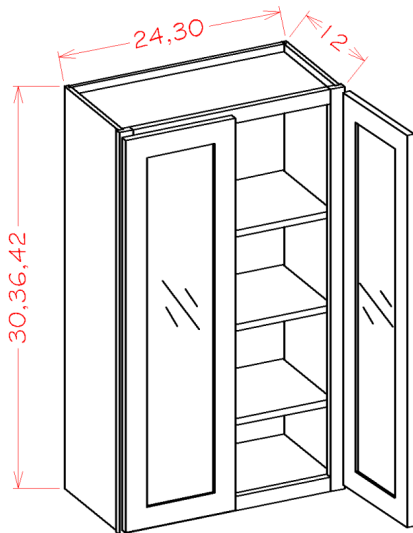
Model	Description	Width	Height	Depth
W1530GD*	Cabinet Dimension	15	30	12
	Door Dimension	14½	29	¾
W1536GD	Cabinet Dimension	15	36	12
	Door Dimension	14½	35	¾
W1542GD	Cabinet Dimension	15	42	12
	Door Dimension	14½	41	¾

- These cabinets do not come with mullions or glass.
- The interior is painted/stained to match the exterior.

\*Available in: **CAPITAL**  
**impressions**  
collection

## PRODUCT SPECIFICATIONS

### Glass Door Wall Cabinets - Double Door



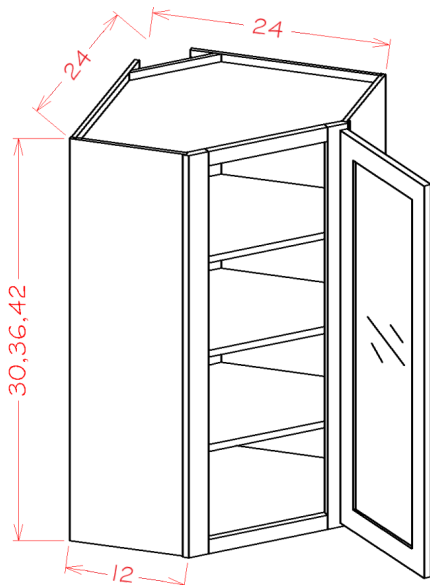
Model	Description	Width	Height	Depth
W2430GD*	Cabinet Dimension	24	30	12
	Door Dimension	11 $\frac{3}{4}$	29	$\frac{3}{4}$
W2436GD	Cabinet Dimension	24	36	12
	Door Dimension	11 $\frac{3}{4}$	35	$\frac{3}{4}$
W2442GD	Cabinet Dimension	24	42	12
	Door Dimension	11 $\frac{3}{4}$	41	$\frac{3}{4}$
W3030GD	Cabinet Dimension	30	30	12
	Door Dimension	14 $\frac{3}{4}$	29	$\frac{3}{4}$
W3036GD	Cabinet Dimension	30	36	12
	Door Dimension	14 $\frac{3}{4}$	35	$\frac{3}{4}$
W3042GD	Cabinet Dimension	30	42	12
	Door Dimension	14 $\frac{3}{4}$	41	$\frac{3}{4}$

- These cabinets do not come with mullions or glass.
- The interior is painted/stained to match the exterior.

\*Available in: **CAPITAL**  
**impressions**  
collection

65

### Glass Door Diagonal Wall Cabinet

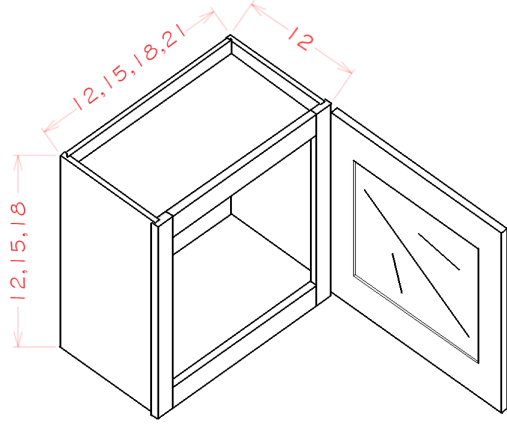


Model	Description	Width	Height	Depth
DCW2430GD	Cabinet Dimension	24	30	12
	Door Dimension	15 $\frac{1}{4}$	29	$\frac{3}{4}$
DCW2436GD	Cabinet Dimension	24	36	12
	Door Dimension	15 $\frac{1}{4}$	35	$\frac{3}{4}$
DCW2442GD	Cabinet Dimension	24	42	12
	Door Dimension	15 $\frac{1}{4}$	41	$\frac{3}{4}$

- These cabinets do not come with mullions or glass.
- The interior is painted/stained to match the exterior.
- DCW Inside Openings are 12 $\frac{1}{8}$ "W.-

## PRODUCT SPECIFICATIONS

Glass Door Wall Stacker Cabinets - Single Door

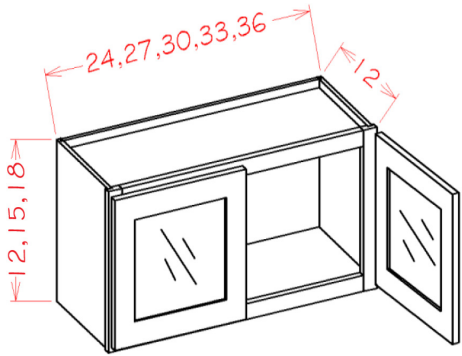


Model	Description	Width	Height	Depth
W1212GD	Cabinet Dimension	12	12	12
	Door Dimension	11½	11	¾
W1512GD	Cabinet Dimension	15	12	12
	Door Dimension	14½	11	¾
W1812GD	Cabinet Dimension	18	12	12
	Door Dimension	17½	11	¾
W2112GD	Cabinet Dimension	21	12	12
	Door Dimension	20½	11	¾
W1215GD	Cabinet Dimension	12	15	12
	Door Dimension	11½	14	¾
W1515GD	Cabinet Dimension	15	15	12
	Door Dimension	14½	14	¾
W1815GD	Cabinet Dimension	18	15	12
	Door Dimension	17½	14	¾
W2115GD	Cabinet Dimension	21	15	12
	Door Dimension	20½	14	¾
W1218GD	Cabinet Dimension	12	18	12
	Door Dimension	11½	17	¾
W1518GD	Cabinet Dimension	15	18	12
	Door Dimension	14½	17	¾
W1818GD	Cabinet Dimension	18	18	12
	Door Dimension	17½	17	¾
W2118GD	Cabinet Dimension	21	18	12
	Door Dimension	20½	17	¾

- These cabinets do not come with mullions or glass.
- The interior is painted/stained to match the exterior.

## PRODUCT SPECIFICATIONS

### Glass Door Wall Stacker Cabinets - Double Door

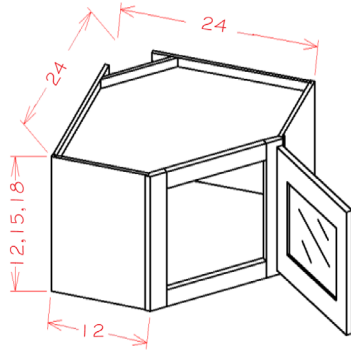


Model	Description	Width	Height	Depth
W2412GD	Cabinet Dimension	24	12	12
	Door Dimension	11 $\frac{3}{4}$	11	$\frac{3}{4}$
W2712GD	Cabinet Dimension	27	12	12
	Door Dimension	13 $\frac{1}{4}$	11	$\frac{3}{4}$
W3012GD	Cabinet Dimension	30	12	12
	Door Dimension	14 $\frac{3}{4}$	11	$\frac{3}{4}$
W3312GD	Cabinet Dimension	33	12	12
	Door Dimension	16 $\frac{1}{4}$	11	$\frac{3}{4}$
W3612GD	Cabinet Dimension	36	12	12
	Door Dimension	17 $\frac{3}{4}$	11	$\frac{3}{4}$
W2415GD	Cabinet Dimension	24	15	12
	Door Dimension	11 $\frac{3}{4}$	14	$\frac{3}{4}$
W2715GD	Cabinet Dimension	27	15	12
	Door Dimension	13 $\frac{1}{4}$	14	$\frac{3}{4}$
W3015GD	Cabinet Dimension	30	15	12
	Door Dimension	14 $\frac{3}{4}$	14	$\frac{3}{4}$
W3315GD	Cabinet Dimension	33	15	12
	Door Dimension	16 $\frac{1}{4}$	14	$\frac{3}{4}$
W3615GD	Cabinet Dimension	36	15	12
	Door Dimension	17 $\frac{3}{4}$	14	$\frac{3}{4}$
W2418GD	Cabinet Dimension	24	18	12
	Door Dimension	11 $\frac{3}{4}$	17	$\frac{3}{4}$
W2718GD	Cabinet Dimension	27	18	12
	Door Dimension	13 $\frac{1}{4}$	17	$\frac{3}{4}$
W3018GD	Cabinet Dimension	30	18	12
	Door Dimension	14 $\frac{3}{4}$	17	$\frac{3}{4}$
W3318GD	Cabinet Dimension	33	18	12
	Door Dimension	16 $\frac{1}{4}$	17	$\frac{3}{4}$
W3612GD	Cabinet Dimension	36	18	12
	Door Dimension	17 $\frac{3}{4}$	17	$\frac{3}{4}$

- These cabinets do not come with mullions or glass.
- The interior is painted/stained to match the exterior.

## PRODUCT SPECIFICATIONS

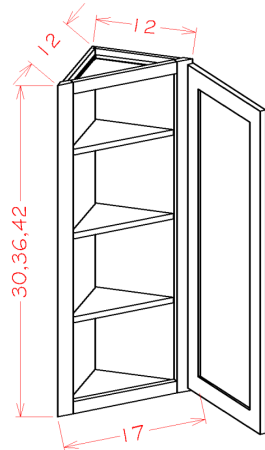
### Glass Door Diagonal Wall Stacker Cabinets 12" H



Model	Description	Width	Height	Depth
DCW2412GD	Cabinet Dimension	24	12	12
	Door Dimension	15¼	11	¾
DCW2415GD	Cabinet Dimension	24	15	12
	Door Dimension	15¼	14	¾
DCW2418GD	Cabinet Dimension	24	18	12
	Door Dimension	15¼	17	¾

- These cabinets do not come with mullions or glass.
- The interior is painted/stained to match the exterior.

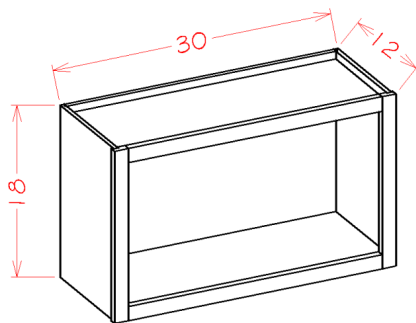
### Specialty Walls - Angle Wall



Model	Description	Width	Height	Depth
AW1230	Cabinet Dimension	12	30	12
	Door Dimension	16½	29	¾
AW1236	Cabinet Dimension	12	36	12
	Door Dimension	16½	35	¾
AW1242	Cabinet Dimension	12	42	12
	Door Dimension	16½	41	¾

- Cabinet frame is 17"W.

### Specialty Walls - Wall Open Cabinet

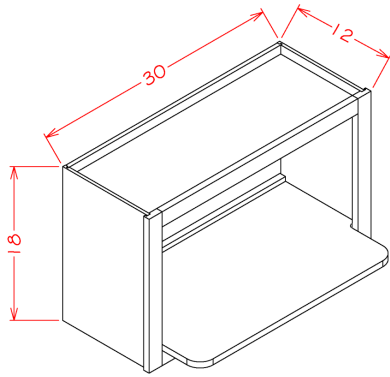


Model	Description	Width	Height	Depth
WOC3018	Cabinet Dimension	30	18	12
	No Doors	N/A	N/A	N/A



## PRODUCT SPECIFICATIONS

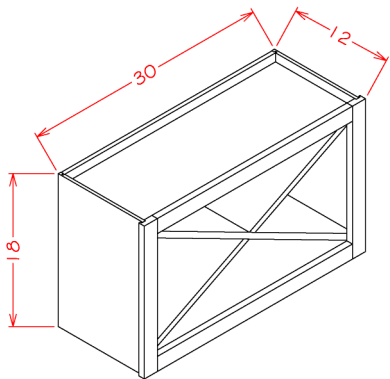
### Specialty Walls- Wall Microwave Cabinet Kits



Model	Description	Width	Height	Depth
WMS3018	Cabinet Dimension	30	18	12
	Shelf Dimension	26½	¾	17

- Two boxes will be received when ordering this cabinet kit flat pack.
- Shelf insert available for individual purchase, SKU: WMSHELF

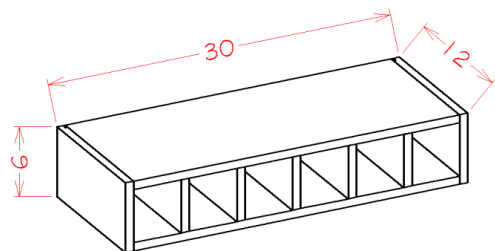
### Specialty Walls - Wall X Rack Cabinet Kit



Model	Description	Width	Height	Depth
WXR3018	Cabinet Dimension	30	18	12
	Shelf Dimension	26½	14½	11

- Two boxes will be received when ordering this cabinet kit flat pack.
- Shelf insert available for individual purchase, SKU: WXRSHLF

### Wall Accessory Cabinets - Wine Cubby

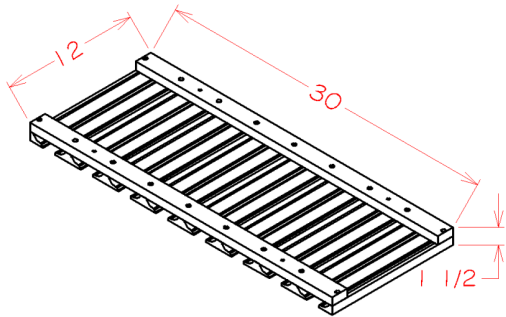


Model	Description	Width	Height	Depth
WWC630	Cabinet Dimension	30	6	12

- Fits 6 bottles.

## PRODUCT SPECIFICATIONS

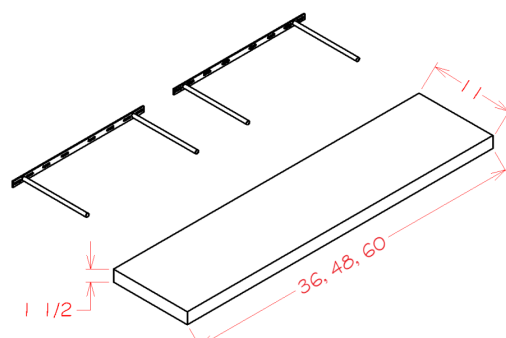
**Specialty Walls - Stem Glass Holder**



Model	Description	Width	Height	Depth
SGH30	Dimension	30	1½	12

- Allows for stemmed glasses with bases up to 3"W.

**Specialty Walls - Floating Shelves**



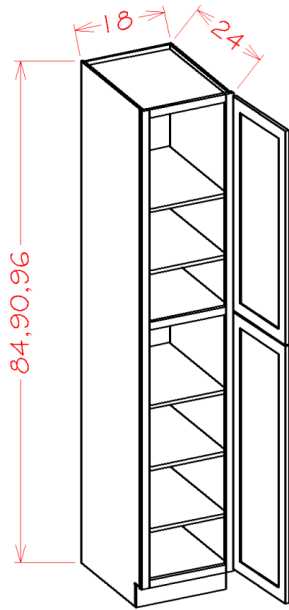
Model	Description	Width	Height	Depth
FS36	Dimension	36	1½	11
FS48	Dimension	48	1½	11
FS60	Dimension	60	1½	11

- 36"W floating shelf only has one mounting bracket.
- Recommended Max Weight: 25lbs

70

## PRODUCT SPECIFICATIONS

### Utility Cabinets - Two Doors

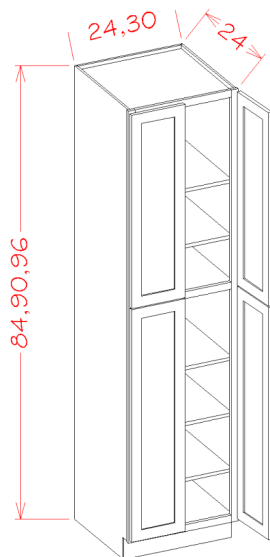


Model	Description	Width	Height	Depth
U188424	Cabinet Dimension	18	84	24
	Top Door Dimension	17½	29	¾
	Bottom Door Dimension	17½	49¼	¾
U189024	Cabinet Dimension	18	90	24
	Top Door Dimension	17½	35	¾
	Bottom Door Dimension	17½	49¼	¾
U189624	Cabinet Dimension	18	96	24
	Top Door Dimension	17½	41	¾
	Bottom Door Dimension	17½	49¼	¾

- Shaker, Oxford & Torrance doors have a horizontal rail in the center of the bottom door.

71

### Utility Cabinets - Four Doors



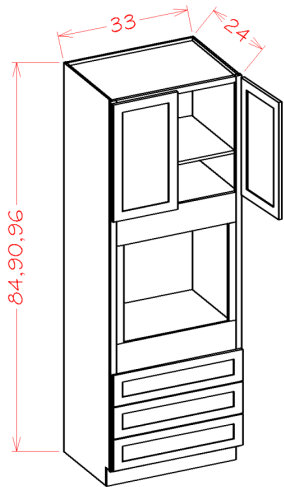
Model	Description	Width	Height	Depth
U248424*	Cabinet Dimension	24	84	24
	Top Door Dimension	11¾	29	¾
	Bottom Door Dimension	11¾	49¼	¾
U249024*	Cabinet Dimension	24	90	24
	Top Door Dimension	11¾	35	¾
	Bottom Door Dimension	11¾	49¼	¾
U249624*	Cabinet Dimension	24	96	24
	Top Door Dimension	11¾	41	¾
	Bottom Door Dimension	11¾	49¼	¾
U308424	Cabinet Dimension	30	84	24
	Top Door Dimension	14¾	29	¾
	Bottom Door Dimension	14¾	49¼	¾
U309024	Cabinet Dimension	30	90	24
	Top Door Dimension	14¾	35	¾
	Bottom Door Dimension	14¾	49¼	¾
U309624	Cabinet Dimension	30	96	24
	Top Door Dimension	14¾	41	¾
	Bottom Door Dimension	14¾	49¼	¾

- Shaker, Oxford & Torrance doors have a horizontal rail in the center of the bottom door.

\*Available in: **CAPITAL impressions**  
collection

## PRODUCT SPECIFICATIONS

Oven Cabinets

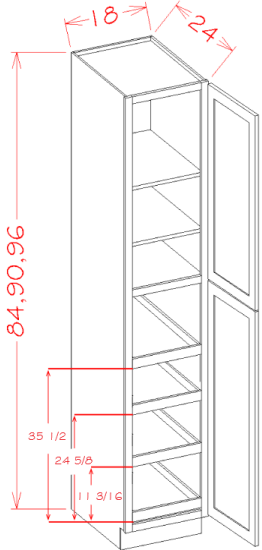


- Oven opening can be modified to accommodate a double oven.
- Height up to 51 $\frac{3}{4}$ " (approx) with removal of top drawers/cut down of top rail.
- Width up to 31 $\frac{1}{2}$ " (approx) with cut down of stiles.

Model	Description	Width	Height	Depth
O338424	Cabinet Dimension	33	84	24
	Door Dimension	16 $\frac{1}{4}$	17	$\frac{3}{4}$
	Drawer Fronts	32 $\frac{1}{2}$	7 $\frac{3}{4}$	$\frac{3}{4}$
	Drawer Boxes	29	5 $\frac{1}{8}$	20 $\frac{3}{8}$
	Oven Opening	26 $\frac{1}{2}$	24 $\frac{3}{8}$	22 $\frac{3}{4}$
O339024	Cabinet Dimension	33	90	24
	Door Dimension	16 $\frac{1}{4}$	23	$\frac{3}{4}$
	Drawer Fronts	32 $\frac{1}{2}$	7 $\frac{3}{4}$	$\frac{3}{4}$
	Drawer Boxes	29	5 $\frac{1}{8}$	20 $\frac{3}{8}$
	Oven Opening	26 $\frac{1}{2}$	24 $\frac{3}{8}$	22 $\frac{3}{4}$
O339624	Cabinet Dimension	33	96	24
	Door Dimension	16 $\frac{1}{4}$	29	$\frac{3}{4}$
	Drawer Fronts	32 $\frac{1}{2}$	7 $\frac{3}{4}$	$\frac{3}{4}$
	Oven Opening	26 $\frac{1}{2}$	24 $\frac{3}{8}$	22 $\frac{3}{4}$

72

Accessory Tall Cabinets - Two Door Utility Four Rollout Shelf Cabinet Kit



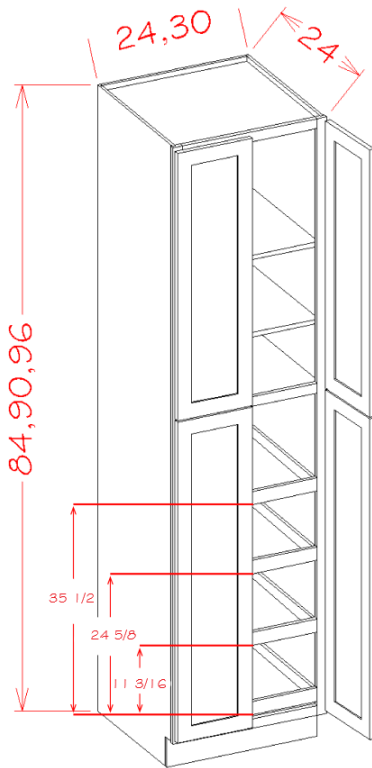
Model	Description	Width	Height	Depth
U188424RS*	Cabinet Dimension	18	84	24
	Top Door Dimension	17 $\frac{1}{2}$	29	$\frac{3}{4}$
	Bottom Door Dimension	17 $\frac{1}{2}$	49 $\frac{1}{4}$	$\frac{3}{4}$
	Rollout Shelf	13 $\frac{3}{8}$	3 $\frac{3}{8}$	20 $\frac{7}{16}$
U189024RS*	Cabinet Dimension	18	90	24
	Top Door Dimension	17 $\frac{1}{2}$	35	$\frac{3}{4}$
	Bottom Door Dimension	17 $\frac{1}{2}$	49 $\frac{1}{4}$	$\frac{3}{4}$
	Rollout Shelf	13 $\frac{3}{8}$	3 $\frac{3}{8}$	20 $\frac{7}{16}$
U189624RS*	Cabinet Dimension	18	96	24
	Top Door Dimension	17 $\frac{1}{2}$	41	$\frac{3}{4}$
	Bottom Door Dimension	17 $\frac{1}{2}$	49 $\frac{1}{4}$	$\frac{3}{4}$
	Rollout Shelf	13 $\frac{3}{8}$	3 $\frac{3}{8}$	20 $\frac{7}{16}$

- Shaker & Torrance doors have a horizontal rail in the center of the bottom door.
- Assembled cabinets with Rollout Shelf kits are ONLY installed as indicated in the line drawing.
- Five boxes will be received when ordering this cabinet kit flat pack.
- Rollout Shelf glides are side mounted ball bearing with no soft close.
- Rollout Shelf Recommended Max Weight: 35lbs

\*Available in: **CAPITAL impressions** collection

## PRODUCT SPECIFICATIONS

### Accessory Tall Cabinets - Four Door Utility Four Rollout Shelf Cabinet Kit

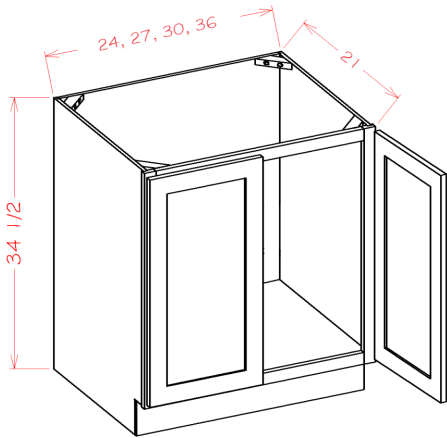


Model	Description	Width	Height	Depth
U2484244RS	Cabinet Dimension	24	84	24
	Top Door Dimension	11 <sup>3</sup> / <sub>4</sub>	29	<sup>3</sup> / <sub>4</sub>
	Bottom Door Dimension	11 <sup>3</sup> / <sub>4</sub>	49 <sup>1</sup> / <sub>4</sub>	<sup>3</sup> / <sub>4</sub>
	Rollout Shelf	19 <sup>1</sup> / <sub>2</sub>	3 <sup>3</sup> / <sub>8</sub>	20 <sup>7</sup> / <sub>16</sub>
U2490244RS	Cabinet Dimension	24	90	24
	Top Door Dimension	11 <sup>3</sup> / <sub>4</sub>	35	<sup>3</sup> / <sub>4</sub>
	Bottom Door Dimension	11 <sup>3</sup> / <sub>4</sub>	49 <sup>1</sup> / <sub>4</sub>	<sup>3</sup> / <sub>4</sub>
	Rollout Shelf	19 <sup>1</sup> / <sub>2</sub>	3 <sup>3</sup> / <sub>8</sub>	20 <sup>7</sup> / <sub>16</sub>
U2496244RS	Cabinet Dimension	24	96	24
	Top Door Dimension	11 <sup>3</sup> / <sub>4</sub>	41	<sup>3</sup> / <sub>4</sub>
	Bottom Door Dimension	11 <sup>3</sup> / <sub>4</sub>	49 <sup>1</sup> / <sub>4</sub>	<sup>3</sup> / <sub>4</sub>
	Rollout Shelf	19 <sup>1</sup> / <sub>2</sub>	3 <sup>3</sup> / <sub>8</sub>	20 <sup>7</sup> / <sub>16</sub>
U3084244RS	Cabinet Dimension	30	84	24
	Top Door Dimension	14 <sup>3</sup> / <sub>4</sub>	29	<sup>3</sup> / <sub>4</sub>
	Bottom Door Dimension	14 <sup>3</sup> / <sub>4</sub>	49 <sup>1</sup> / <sub>4</sub>	<sup>3</sup> / <sub>4</sub>
	Rollout Shelf	25 <sup>3</sup> / <sub>8</sub>	3 <sup>3</sup> / <sub>8</sub>	20 <sup>7</sup> / <sub>16</sub>
U3090244RS	Cabinet Dimension	30	90	24
	Top Door Dimension	14 <sup>3</sup> / <sub>4</sub>	35	<sup>3</sup> / <sub>4</sub>
	Bottom Door Dimension	14 <sup>3</sup> / <sub>4</sub>	49 <sup>1</sup> / <sub>4</sub>	<sup>3</sup> / <sub>4</sub>
	Rollout Shelf	25 <sup>3</sup> / <sub>8</sub>	3 <sup>3</sup> / <sub>8</sub>	20 <sup>7</sup> / <sub>16</sub>
U3096244RS	Cabinet Dimension	30	96	24
	Top Door Dimension	14 <sup>3</sup> / <sub>4</sub>	41	<sup>3</sup> / <sub>4</sub>
	Bottom Door Dimension	14 <sup>3</sup> / <sub>4</sub>	49 <sup>1</sup> / <sub>4</sub>	<sup>3</sup> / <sub>4</sub>
	Rollout Shelf	25 <sup>3</sup> / <sub>8</sub>	3 <sup>3</sup> / <sub>8</sub>	20 <sup>7</sup> / <sub>16</sub>

- Shaker & Torrance doors have a horizontal rail in the center of the bottom door.
- Assembled cabinets with Rollout Shelf kits are ONLY installed as indicated in the line drawing
- Five boxes will be received when ordering this cabinet kit flat pack.
- Rollout Shelf glides are side mounted ball bearing with no soft close.

## PRODUCT SPECIFICATIONS

Vanity Sink Bases - Full Height Double Door

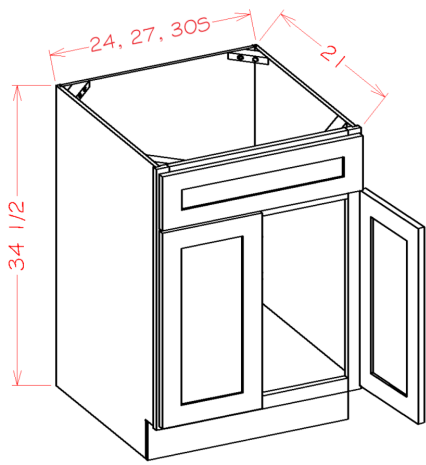


Model	Description	Width	Height	Depth
VS24FH*	Cabinet Dimension	24	34½	21
	Door Dimension	11¾	29	¾
VS27FH	Cabinet Dimension	27	34½	21
	Door Dimension	13¾	29	¾
VS30FH*	Cabinet Dimension	30	34½	21
	Door Dimension	14¾	29	¾
VS36FH*	Cabinet Dimension	36	34½	21
	Door Dimension	17¾	29	¾

\*Available in: **CAPITAL impressions** collection

74

Vanity Sink Bases - Double Door Single Drawer Front



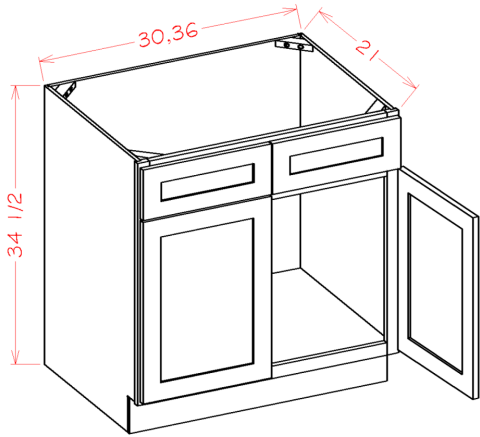
Model	Description	Width	Height	Depth
VS24*	Cabinet Dimension	24	34½	21
	Door Dimension	11¾	22½	¾
	Drawer Front	23½	6¼	¾
VS27*	Cabinet Dimension	27	34½	21
	Door Dimension	13¾	22½	¾
	Drawer Front	26½	6¼	¾
VS30S*	Cabinet Dimension	30	34½	21
	Door Dimension	14¾	22½	¾
	Drawer Front	29½	6¼	¾

† The VS30S will be a running change from the VS30 with two drawers.

\*Available in: **CAPITAL impressions** collection

## PRODUCT SPECIFICATIONS

### Vanity Sink Bases - Double Door Double Drawer Front

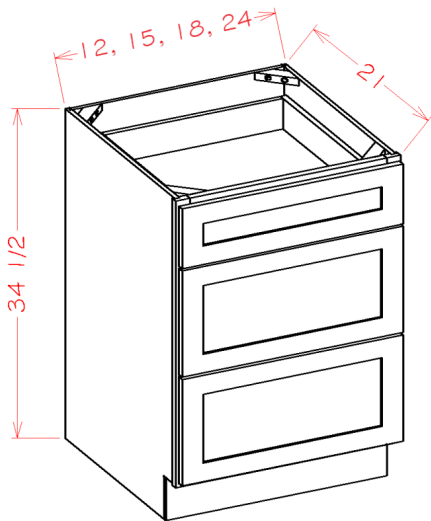


Model	Description	Width	Height	Depth
VS30	Cabinet Dimension	30	34½	21
	Door Dimension	14¾	22½	¾
	Drawer Front	14¾	6¼	¾
VS36*	Cabinet Dimension	36	34½	21
	Door Dimension	17¾	22½	¾
	Drawer Front	17¾	6¼	¾

\*Available in: **CAPITAL**  
**impressions**  
collection

75

### Vanity Drawer Bases

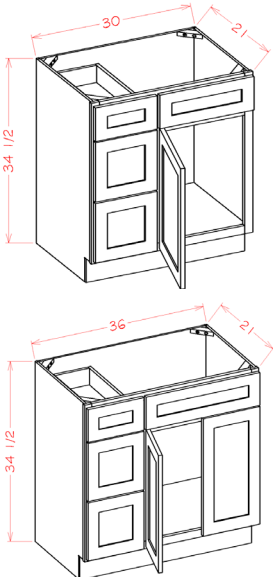


Model	Description	Width	Height	Depth
3VDB12*	Cabinet Dimension	12	34½	21
	Top Drawer Front	11½	6¼	¾
	Bottom Drawer Front	11½	11⅛	¾
	Top Drawer Box	8	3⅜	17⅜
	Bottom Drawer Box	8	8¼	17⅜
3VDB15*	Cabinet Dimension	15	34½	21
	Top Drawer Front	14½	6¼	¾
	Bottom Drawer Front	14½	11⅛	¾
	Top Drawer Box	11	3⅜	17⅜
	Bottom Drawer Box	11	8¼	17⅜
3VDB18*	Cabinet Dimension	18	34½	21
	Top Drawer Front	17½	6¼	¾
	Bottom Drawer Front	17½	11⅛	¾
	Top Drawer Box	14	3⅜	17⅜
	Bottom Drawer Box	14	8¼	17⅜
3VDB24	Cabinet Dimension	24	34½	21
	Top Drawer Front	23½	6¼	¾
	Bottom Drawer Front	23½	11⅛	¾
	Top Drawer Box	20	3⅜	17⅜
	Bottom Drawer Box	20	8¼	17⅜

\*Available in: **CAPITAL**  
**impressions**  
collection

## PRODUCT SPECIFICATIONS

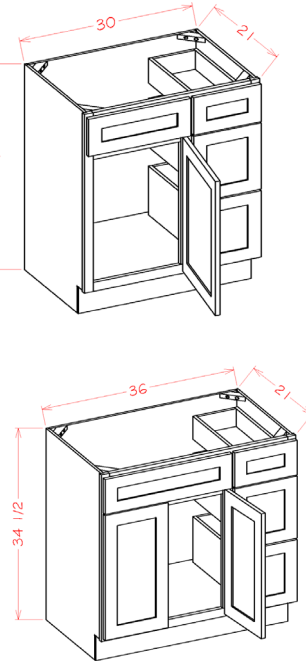
Vanity Combo Bases - Drawers Left



Model	Description	Width	Height	Depth
V3021DL	Cabinet Dimension	30	34½	21
	Top Drawer Front	11½	6¼	¾
	Bottom Drawer Front	11½	11⅛	¾
	Top Long Drawer Front	17½	6¼	¾
	Top Drawer Box	8	3⅜	18
	Bottom Drawer Box	8	8¼	18
V3621DL	Cabinet Dimension	36	34½	21
	Top Drawer Front	11½	6¼	¾
	Bottom Drawer Front	11½	11⅛	¾
	Top Long Drawer Front	23½	6¼	¾
	Top Drawer Box	8	3⅜	18
	Bottom Drawer Box	8	8¼	18
	Door Dimension	11¾	22½	¾

76

Vanity Combo Bases - Drawers Right

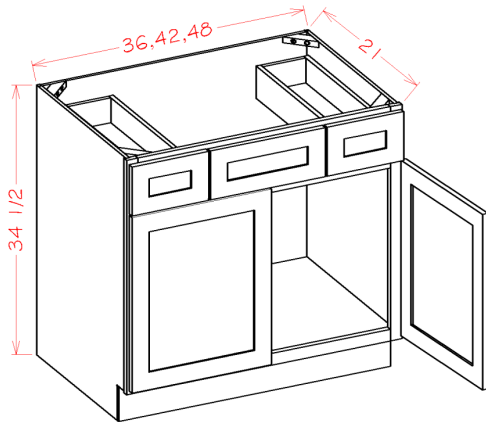


Model	Description	Width	Height	Depth
V3021DR	Cabinet Dimension	30	34½	21
	Top Drawer Front	11½	6¼	¾
	Bottom Drawer Front	11½	11⅛	¾
	Top Long Drawer Front	17½	6¼	¾
	Top Drawer Box	8	3⅜	18
	Bottom Drawer Box	8	8¼	18
V3621DR	Cabinet Dimension	36	34½	21
	Top Drawer Front	11½	6¼	¾
	Bottom Drawer Front	11½	11⅛	¾
	Top Long Drawer Front	23½	6¼	¾
	Top Drawer Box	8	3⅜	18
	Bottom Drawer Box	8	8¼	18
	Door Dimension	11¾	22½	¾



## PRODUCT SPECIFICATIONS

### Vanity Combo Bases



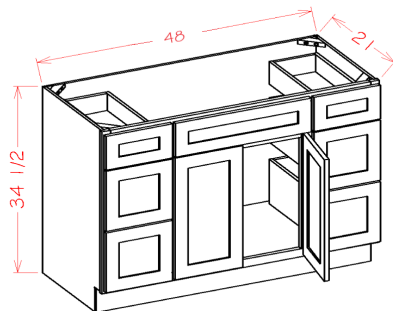
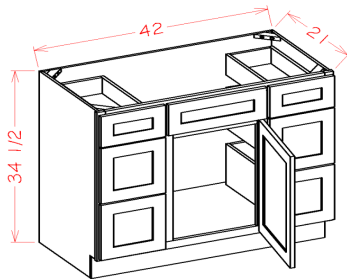
Model	Description	Width	Height	Depth
VSD36*	Cabinet Dimension	36	34½	21
	Door Dimension	17¾	22½	¾
	Outside Drawer Front	10¼	6¼	¾
	Center Drawer Front	14½	6¼	¾
	Drawer Box	7¾	3¼	17¾
VSD42	Cabinet Dimension	42	34½	21
	Door Dimension	20¾	22½	¾
	Outside Drawer Front	11½	6¼	¾
	Center Drawer Front	18	6¼	¾
	Drawer Box	8⅞	3¼	17¾
VSD48	Cabinet Dimension	48	34½	21
	Door Dimension	23¾	22½	¾
	Outside Drawer Front	14½	6¼	¾
	Center Drawer Front	18	6¼	¾
	Drawer Box	11¾	3¼	17¾

- The VSD42 & 48 have a center stile.

\*Available in: **CAPITAL impressions** collection

77

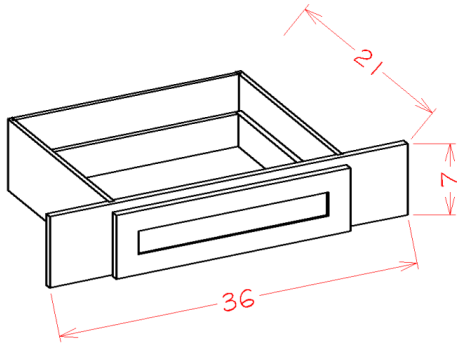
### Vanity Combo Bases - Double Drawer Stack



Model	Description	Width	Height	Depth
VDDB42	Cabinet Dimension	42	34½	21
	Top Drawer Front	11½	6¼	¾
	Bottom Drawer Front	11½	11⅞	¾
	Top Long Drawer Front	17⅝	6¼	¾
	Top Drawer Box	8	3⅞	18
	Bottom Drawer Box	8	8¼	18
	Door Dimension	17⅞	22½	¾
VDDB48	Cabinet Dimension	48	34½	21
	Top Drawer Front	11½	6¼	¾
	Bottom Drawer Front	11½	11⅞	¾
	Top Long Drawer Front	23⅝	6¼	¾
	Top Drawer Box	8	3⅞	18
	Bottom Drawer Box	8	8¼	18
	Door Dimension	11¾	22½	¾

## PRODUCT SPECIFICATIONS

### Special Vanity - Vanity Knee Drawer



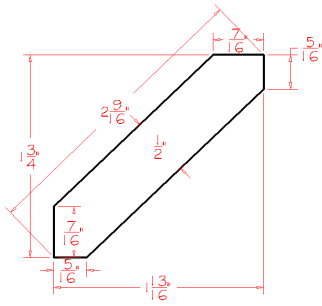
Model	Description	Width	Height	Depth
VKD36*	Cabinet Dimension	36	7	21
	Drawer Front	23½	6¼	¾
	Drawer Box	19¾	3⅜	17⅜

- Trimmable to 27" wide

\*Available in: **CAPITAL**  
**impressions**  
collection

## PRODUCT SPECIFICATIONS

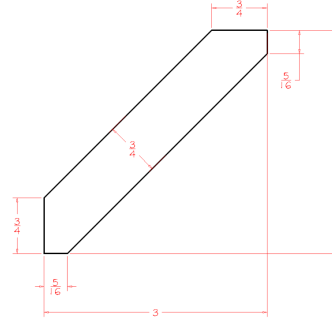
Crown Moulding - 1 3/4" H Angled Crown Moulding



Model	Description	Width	Height	Depth
ACM8	Dimension	96	1 3/4	1 13/16

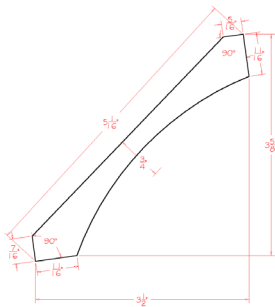
- Not available in the Casselberry style.

Crown Moulding - 3" H Angled Crown Moulding



Model	Description	Width	Height	Depth
LACM8	Dimension	96	3	3

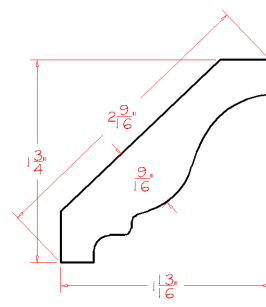
Crown Moulding - Cove Moulding



Model	Description	Width	Height	Depth
COV	Dimension	96	3 5/8	3 1/2

- Not available in the Casselberry style.

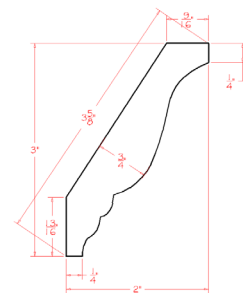
Crown Moulding - Classic Crown Moulding



Model	Description	Width	Height	Depth
CM8	Dimension	96	1 3/4	1 13/16

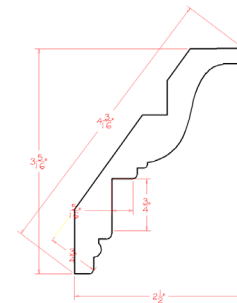
- Available in Casselberry ONLY.

Crown Moulding - Decorative Crown Moulding



Model	Description	Width	Height	Depth
DCM	Dimension	96	3	2

Crown Moulding - Inset Crown Moulding

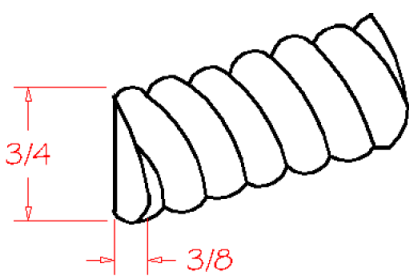


Model	Description	Width	Height	Depth
ICM	Dimension	96	3 5/16	2 1/2

- Available in Casselberry ONLY.

## PRODUCT SPECIFICATIONS

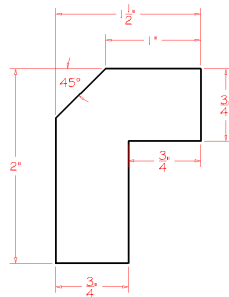
**Crown Moulding - Rope Moulding**



Model	Description	Width	Height	Depth
ROPE	Dimension	96	3/4	3/8

- Available in Casselberry ONLY.

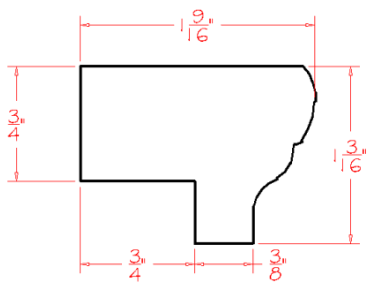
**Light Rail Moulding - Angled Light Rail**



Model	Description	Width	Height	Depth
ALRM	Dimension	96	1 1/2	2

- Not available in the Casselberry style.

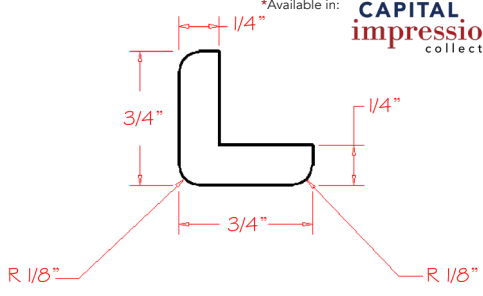
**Light Rail Moulding - Beveled Light Rail**



Model	Description	Width	Height	Depth
LRM	Dimension	96	1 3/16	1 7/16

**Trim - Outside Corner Moulding**

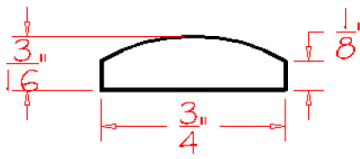
\*Available in: CAPITAL impressions collection



Model	Description	Width	Height	Depth
OCM*	Dimension	96	3/4	3/4

**Trim - Batten Moulding**

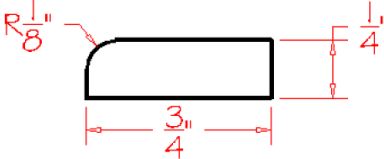
\*Available in: CAPITAL impressions collection



Model	Description	Width	Height	Depth
BAM*	Dimension	96	3/4	3/16

**Trim - Scribe Moulding**

\*Available in: CAPITAL impressions collection

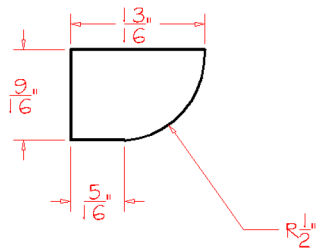


Model	Description	Width	Height	Depth
SCR*	Dimension	96	3/4	1/4

## PRODUCT SPECIFICATIONS

### Trim - Shoe Moulding

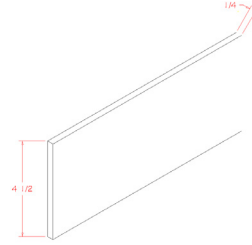
\*Available in: **CAPITAL impressions** collection



Model	Description	Width	Height	Depth
SHM*	Dimension	96	3/4	1/2

### Toe Kick Mouldings - Toe Kick Cover

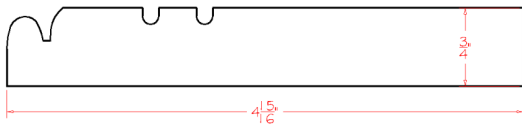
\*Available in: **CAPITAL impressions** collection



Model	Description	Width	Height	Depth
TKC*	Dimension	96	4 1/2	1/4

### Toe Kick Mouldings - Furniture Base Moulding

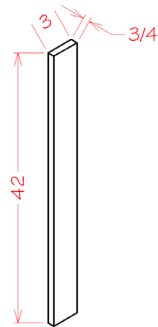
\*Available in: **CAPITAL impressions** collection



Model	Description	Width	Height	Depth
FBM*	Dimension	96	4 15/16	3/4

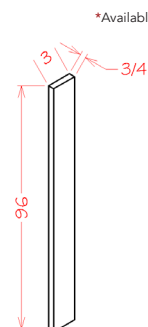
## PRODUCT SPECIFICATIONS

### Fillers - 3" Wall/Base Filler



Model	Description	Width	Height	Depth
F342	Dimension	3	42	3/4

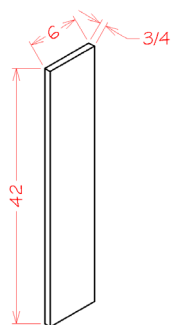
### Fillers - 3" Tall Filler



\*Available in: **CAPITAL impressions** collection

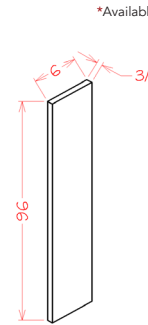
Model	Description	Width	Height	Depth
F396*	Dimension	3	96	3/4

### Fillers - 6" Wall/Base Filler



Model	Description	Width	Height	Depth
F642	Dimension	6	42	3/4

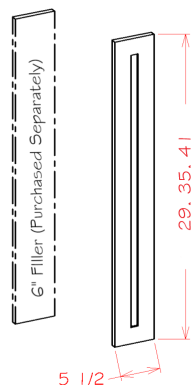
### Fillers - 6" Tall Filler



\*Available in: **CAPITAL impressions** collection

Model	Description	Width	Height	Depth
F696*	Dimension	6	96	3/4

### Filler Overlays

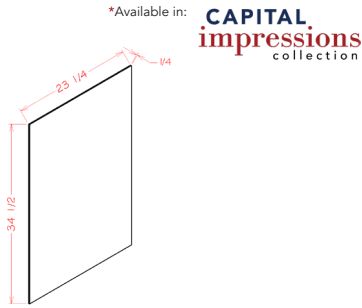


Model	Description	Width	Height	Depth
FOL630	Dimension	5 1/2	29	3/4
FOL636	Dimension	5 1/2	35	3/4
FOL642	Dimension	5 1/2	41	3/4

- Filler overlays have a matching door profile.
- 6" filler required for application (purchased separately)

## PRODUCT SPECIFICATIONS

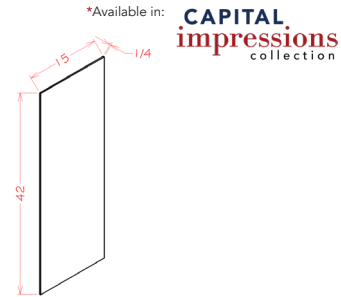
### Skin Panels - Base Skin Panel



Model	Description	Width	Height	Depth
BSV*	Dimension	23 1/4	34 1/2	1/4

- Only finished on one side.

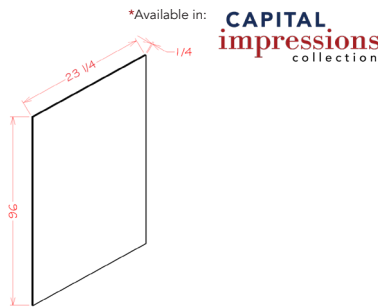
### Skin Panels - Wall Skin Panel



Model	Description	Width	Height	Depth
WSV4*	Dimension	15	42	1/4

- Only finished on one side.

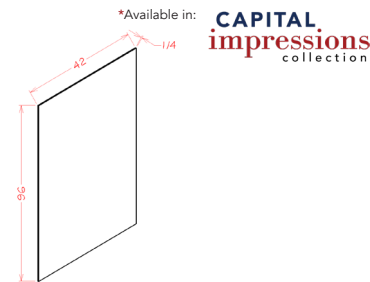
### Skin Panels - Utility Skin Panel



Model	Description	Width	Height	Depth
USV2496*	Dimension	23 1/4	96	1/4

- Only finished on one side.

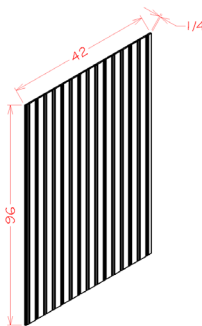
### Skin Panels - Long Skin Panel



Model	Description	Width	Height	Depth
FPV4296*	Dimension	42	96	1/4

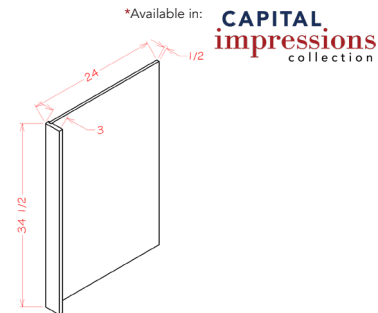
- Grain runs long way .
- Only finished on one side.

### Skin Panels - Bead Board Panel



Model	Description	Width	Height	Depth
BBFPV4296	Dimension	42	96	1/4

### Panels - Dishwasher Return Panel



Model	Description	Width	Height	Depth
DWR3*	Dimension	3	34 1/2	24

## PRODUCT SPECIFICATIONS

**Panels - Refrigerator End Panel**

\*Available in: **CAPITAL impressions collection**

Model	Description	Width	Height	Depth
REPV3096*	Dimension	1 1/2	96	30

- REPVKIT available with (4) metal L-Brackets to attach the front filler piece to the panel.

**Decorative End Panels - Base Decorative End Panel**

\*Available in: **CAPITAL impressions collection**

Model	Description	Width	Height	Depth
BDEP*	Dimension	23 1/2	29	3/4

**Decorative End Panels - Wall Decorative End Panel**

Model	Description	Width	Height	Depth
WDEP1212	Dimension	11 1/2	11	3/4
WDEP1215	Dimension	11 1/2	14	3/4
WDEP1218	Dimension	11 1/2	17	3/4
WDEP30*	Dimension	11 1/2	29	3/4
WDEP36	Dimension	11 1/2	35	3/4
WDEP42	Dimension	11 1/2	41	3/4

\*Available in: **CAPITAL impressions collection**

**Panels - Tall Decorative End Panel**

\*Available in: **CAPITAL impressions collection**

Model	Description	Width	Height	Depth
TDEP2484*	Dimension	23 1/2	78 1/2	30
TDEP2490*	Dimension	23 1/2	84 1/2	30
TDEP2496*	Dimension	23 1/2	90 1/2	30

- Shaker, Oxford, & Torrance panels have horizontal rail in the center of the bottom panel.

**Panels -Vanity Decorative End Panel**

\*Available in: **CAPITAL impressions collection**

Model	Description	Width	Height	Depth
VDEP*	Dimension	20 1/2	29	3/4



## PRODUCT SPECIFICATIONS

Panels - Finished Shelf Board

\*Available in: **CAPITAL impressions** collection

Model	Description	Width	Height	Depth
S2496	Dimension	24	96	3/4
S3696*	Dimension	36	96	3/4

- One long edge banded to match
- Finished on both sides

## PRODUCT SPECIFICATIONS

Accent Accessories - Modern Corbel

\*Available in: **CAPITAL impressions collection**

Model	Description	Width	Height	Depth
MCB*	Dimension	3½	12	9

Accent Accessories - Traditional Corbel

Model	Description	Width	Height	Depth
CBT	Dimension	3 <sup>1</sup> / <sub>8</sub>	13 <sup>1</sup> / <sub>16</sub>	5 <sup>7</sup> / <sub>8</sub>

Accent Accessories - Classic Decorative Leg

Model	Description	Width	Height	Depth
CLDL	Dimension	3	34½	3

Accent Accessories - Square Decorative Leg

\*Available in: **CAPITAL impressions collection**

Model	Description	Width	Height	Depth
SQDL*	Dimension	3	34½	3

Accent Accessories - Shaker Valance

Model	Description	Width	Height	Depth
VASH48	Dimension	48	6	¾

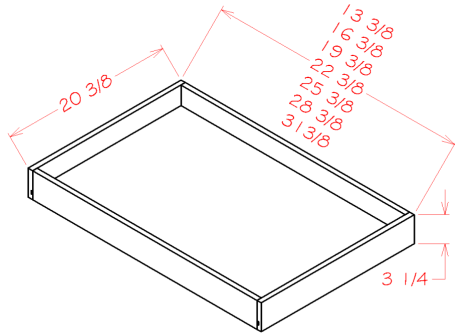
- Trimmable on each side by 1¼"
- Finished on both sides and two long edges

Touch Up Kit

- Available for all framed finishes.
- Contains paint pen, fill stick, & application card.

## PRODUCT SPECIFICATIONS

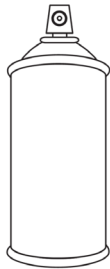
### Roll Out Shelves



Model	Description	Width	Height	Depth
RS18-Type A	Dimension	13 <sup>3</sup> / <sub>8</sub>	3 <sup>3</sup> / <sub>8</sub>	20 <sup>7</sup> / <sub>16</sub>
RS21-Type A	Dimension	16 <sup>3</sup> / <sub>8</sub>	3 <sup>3</sup> / <sub>8</sub>	20 <sup>7</sup> / <sub>16</sub>
RS24-Type A	Dimension	19 <sup>1</sup> / <sub>2</sub>	3 <sup>3</sup> / <sub>8</sub>	20 <sup>7</sup> / <sub>16</sub>
RS27-Type A	Dimension	22 <sup>1</sup> / <sub>2</sub>	3 <sup>3</sup> / <sub>8</sub>	20 <sup>7</sup> / <sub>16</sub>
RS30-Type A	Dimension	25 <sup>3</sup> / <sub>8</sub>	3 <sup>3</sup> / <sub>8</sub>	20 <sup>7</sup> / <sub>16</sub>
RS33-Type A	Dimension	28 <sup>3</sup> / <sub>8</sub>	3 <sup>3</sup> / <sub>8</sub>	20 <sup>7</sup> / <sub>16</sub>
RS36-Type A	Dimension	31 <sup>3</sup> / <sub>8</sub>	3 <sup>3</sup> / <sub>8</sub>	20 <sup>7</sup> / <sub>16</sub>

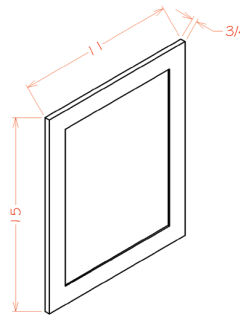
- Glides are side mounted ball bearing with no soft close.
- Recommended Max Weight: 35lbs

### Spray Paint



- Available for painted finishes ONLY.

### Sample Door - SD



Model	Description	Width	Height	Depth
SD	Dimension	11	15	<sup>3</sup> / <sub>4</sub>